



GILTRAP

ENGINEERED PERFORMANCE

T Series Tip Trailer – All Models

Operation and Parts Manual



NEW ZEALAND (HEAD OFFICE)
GILTRAP ENGINEERING LTD
7 Main North Road
PO Box 83
Otorohanga

TEL: [+64 7 873 4199](tel:+6478734199)
FAX: [+64 7 873 8131](tel:+6478738131)
FREE: [0800 804 458 \(NZ ONLY\)](tel:0800804458)
GENERAL: info@giltrapag.co.nz
PARTS: parts@giltrapag.co.nz
WEBSITE: www.giltrapag.co.nz

AUSTRALIA
GILTRAP AG EQUIPMENT PTY LTD
105-117 Boundary Road
Laverton North
Melbourne
Vic 3026

TEL: [+61 3 936 96 548](tel:+61393696548)
FAX: [+61 3 936 96 549](tel:+61393696549)
FREE: [1800 127 030 \(AU ONLY\)](tel:1800127030)
SALES: sales@giltrapag.com.au
PARTS: melboffice@giltrapag.com.au
WEBSITE: www.giltrapag.com.au

Part Number: 595-0053

Disclaimer

While every attempt has been made to ensure that information and diagrams in this manual are correct, Giltrap Engineering Limited will not be responsible for any damage or consequential loss arising out of misinterpretation or failure to follow recommended procedures; nor will it be liable for any damage caused by or arising out of modification or misuse of its product.

For parts or service enquiries, please use the applicable contacts on the previous page.

First Edition printed January 2014

Copyright © 2022 by Giltrap Engineering Ltd.
Printed in New Zealand

All rights reserved. Reproduction or use, without express permission, of editorial or pictorial content, in any manner, is prohibited.

Table of Contents

DISCLAIMER	2
INTRODUCTION	4
WARRANTY	5
GENERAL SAFETY	6
PRE-SERVICE GUIDELINES & SETTINGS	9
INSTALLATION.....	10
MAINTENANCE.....	10
PARTS	11

Introduction

Thank you for purchasing a Giltrap product. *Giltrap Engineering Ltd* has enjoyed a long-standing success with their machinery. We would like you to enjoy the benefits of owning a Giltrap too. By following the guidelines laid out in this book, you will ensure trouble free, low maintenance operating for years.

Giltrap Engineering Ltd is a progressive company which continually strives to satisfy your needs, so we welcome any feedback which you can provide to help us improve our products and services and to ensure that they perform to your expectations. Any constructive comments about this operator's manual are also welcome.

Your machine has been designed to perform its task efficiently and with a minimum of maintenance. This handbook provides safety guidelines, instructions, maintenance requirements and parts listings. We recommend that you read the entire handbook, before operating the machine as this will enable you to take full advantage of your new machine's considerable potential.

Manual Evaluation

We update our operating manuals regularly. Your suggestions for improvement help us to create even more user friendly manuals. Send your suggestions by email to admin@giltrapag.co.nz.

Delivery and Warranty

Before you begin to use your machine, please check it to make sure there is no delivery damage. If damage is evident, contact the dealer who supplied the machine so that they can make the appropriate claims.

If you have any other queries, please contact your dealer or Giltrap Engineering Ltd (0800 80 GILTRAP).

All Giltrap products are covered by a 24-month warranty on parts and labour, subject to normal use.

Please fill in the details below for future reference.

Model:
Serial No:
Delivery Date:
Dealer:

Warranty

The Goods specified in the Price List as designed and supplied by Giltrap Engineering Ltd are warranted against faulty workmanship and defective materials for a period of 24 months from the date of purchase. In addition to the primary 24 month warranty for Giltrap products, there is a further 12 month structural warranty for the goods, against faulty workmanship and/or defective materials for structural items only. The structural warranty does not apply to electronics or component parts.

Such warranty is subject to the following conditions:

1. This warranty covers the repair or replacement of parts or machinery sold by the manufacturer and damaged as a result of the faulty workmanship or materials in such parts or machinery. It does not extend to any other loss or damage including consequential loss or damage or loss to other property or persons.
2. Without limiting the generality of paragraph 1 above, this warranty does not cover the following:
 - (a) Travel expenses.
 - (b) Damaged caused by accident, misuse or abuse.
 - (c) Damage to any goods which have been altered or modified by someone other than the manufacturer or its authorised agent.
 - (d) Damage or loss to the goods due to their unsuitability for any particular use or for using with any particular tractor except where such use or tractor had been specifically approved by the manufacturer.
 - (e) Damage or loss where the fitting and installation of the goods were not carried out by the manufacturer or its authorised dealer.
3. Procedure for recovery under warranty.
No loss or damage will be covered by this warranty unless the loss or damage is reported immediately to the dealer (who will contact the distributor who will advise whether it is covered by the warranty and undertake the necessary action).

No warranty repair work is to be undertaken prior to an order number being obtained.

This warranty shall be interpreted according to the laws of New Zealand and the parties agree to submit to the jurisdiction of the Courts of New Zealand.

Warranty Claims

If you wish to make a claim under warranty:

Immediately stop using the machine.

List details of the machine and damaged item including serial numbers and date of purchase.

Consult with your Giltrap dealer (supplier) and have him forward your claim and the damaged item to Giltrap Engineering Ltd.

No warranty to be undertaken unless an order number is obtained from the Seller (Giltrap Engineering Ltd) prior to any work being done.

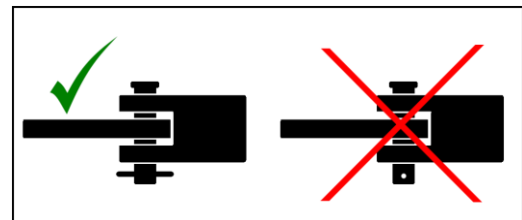
General Safety

For the safety of others and yourself, please read and follow the precautions in this operator's manual. Pay particular attention to the following safety aspects of operating machinery.

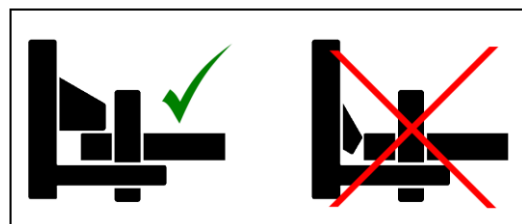
Do not ride on or allow passengers on the machine.



Always use a recognised hitch pin with a safety clip to hook trailed implements on behind the tractor.



Always ensure when using a quick hitch that the locking tab has come out and is in the locked position before moving.



Do Not operate tractor – trailer combination outside of manufacturers recommended drawbar loading.

Carry a suitable fire extinguisher.

A fire can ignite under certain conditions, so please take the following precautions:

After running your machine for a short time, check for defective bearings. A faulty bearing can become very hot, eventually discolouring, requiring immediate replacement.

Do not allow combustible material to accumulate inside guards or around rollers and other moving parts.

If your machine becomes blocked, stop immediately and remove the obstruction.

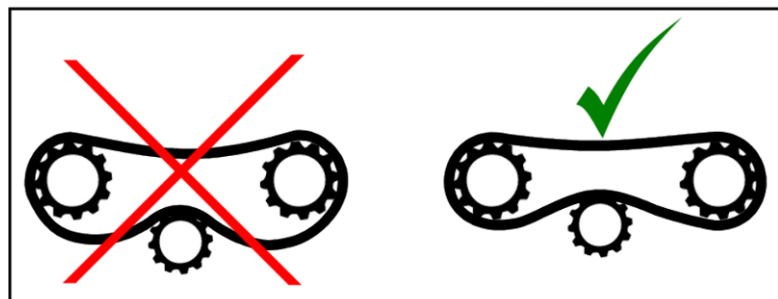
Be careful when operating in hot or dry conditions or on extreme fire risk days.



Never operate your machine without the safety guards in place.



All chains should be properly adjusted and replaced when necessary.



Release all hydraulic pressure from implements before commencing service work. Never look for suspected oil leaks with your hands or body - use a piece of cardboard instead. Any fluid that penetrates the skin will have to be removed immediately by a medical expert. Seek specialist advice on this type of injury.



Never attempt to unblock equipment while it is still operating. Always disengage power take-off, hydraulics and shut down engine before removing materials, checking or servicing. Failure to follow these precautions is likely to result in serious injury.



Wear proper protective clothing. Loose attire can easily be snagged by rotating machinery resulting in serious injury or death.



Pre-Service Guidelines & Settings

Prior to delivering your machine, your dealer should have completed a pre-delivery check. It is required to check the following points before using the machine for the first time.

- CHECK ALL WHEEL NUTS ARE SUFFICIENTLY TIGHT.

Wheel Nut Recommended Torque Settings

M18	200 ft/lbs or 270Nm
M20	280 ft/lbs or 380Nm
M22	330 ft/lbs or 450Nm



- CHECK ALL TYRE PRESSURES ARE CORRECT.

Recommended Tyre Pressures

11.5/80-15.3	58psi	4.0 bar
400/60-15.5	50psi	3.5 bar
15.0/70-18	45psi	3.1 bar
400/55-22.5	46psi	3.2 bar
500/45-22.5	35psi	2.4 bar
500/60-22.5	35psi	2.4 bar
560/45R22.5	58psi	4.0 bar
560/60R22.5	58psi	4.0 bar
650/55R26.5	58psi	4.0 bar



- CHECK ALL AXLE MOUNTING BOLTS AND NUTS ARE SUFFICIENTLY TIGHT.

Axle Mounting Bolt Recommended Torque Settings

M16	180 ft/lbs or 245Nm
M20	355 ft/lbs or 480Nm



- THERE ARE SEVERAL GREASE POINTS on all Giltrap trailers. Check the yellow label on the side of your machine to see how many grease points there are. You should fully grease everything before running it for the first time. See page 10 for greasing and lubrication details.
- CHECK AND RETIGHTEN WHEEL NUTS AFTER:
 - First use
 - First laden journey
 - The first 50 hours of use and every 50 hours thereafter

Installation

- Connect the trailer to the tractor drawbar. Ensure that the tractor drawbar is the correct height so the trailer deck is close to horizontal.
- Check that there are no hydraulic leaks in the hoses and fittings.
- Be aware of hazards and dangers before operating the equipment.
- Be sure that the tractor is the correct size in relation to the trailer.

Maintenance

- Check the tyres regularly for correct pressure.
- Check all bolts etc. for tightness.

Greasing & Lubrication Schedule

Axle Bushes	– Grease every second day
Lift Ram Pivot	– Grease weekly
Ram Cradle Mounts	– Grease weekly
Lift Ram Top Pin	– Grease weekly
Deck pivot Pin	– Grease weekly
Drawbar Pins	– Grease weekly
Swivel Tow Eye	– Grease monthly
Wheel Hubs	– Grease every 3 months
Brake Rod	– Grease every 3 months

Parts

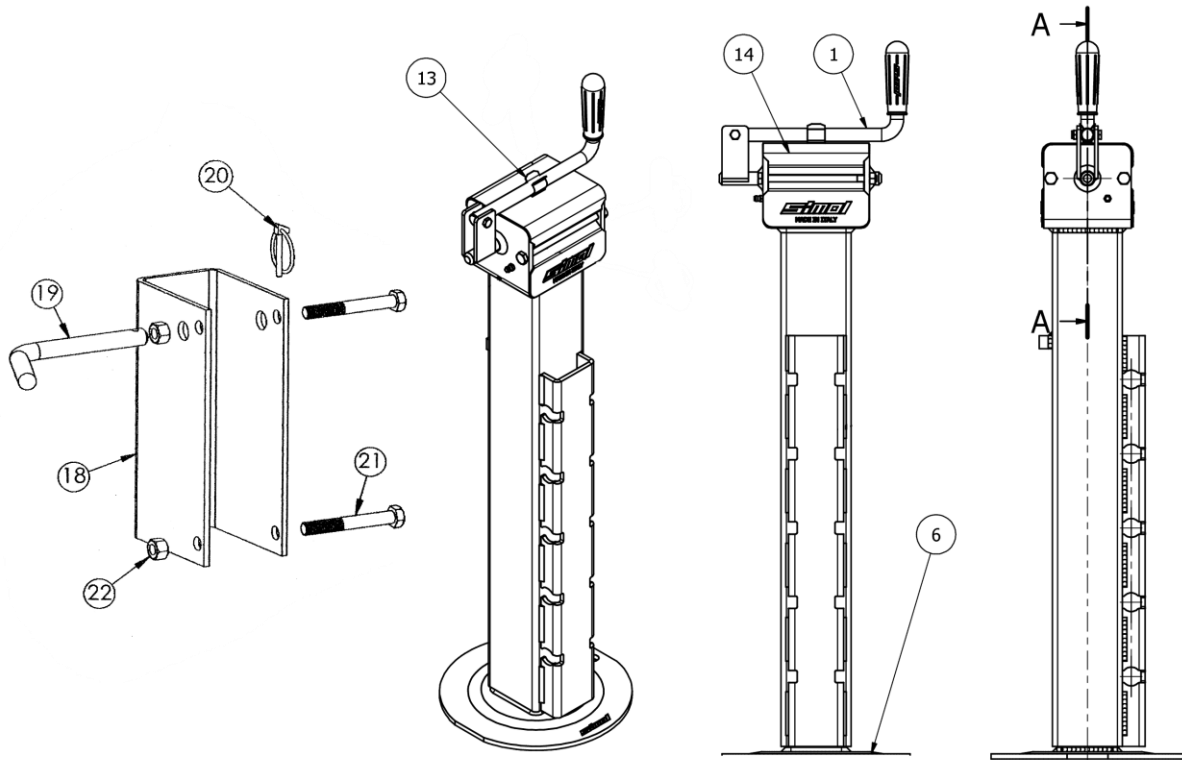
Contents

TRANSFERS & LABELS	12
JACK ASSEMBLY TYPE 4 80MM	13
AXLE HUB – ADR	14
MONROC 60MM HUBS	16
MONROC 70MM HUBS	17
MONROC 80MM HUBS	18
MONROC 90MM HUBS	19
SINGLE AXLE ASSEMBLY – T23-06 & T37-08.....	22
TANDEM AXLE ASSEMBLY – T23-06 & T37-08	23
TANDEM AXLE ASSEMBLY – T49-10 & T54-12	24
TANDEM AXLE ASSEMBLY – T64-15 & T68-17	25
TANDEM AXLE ASSEMBLY – T10-20.....	26
HYDRAULIC RAM – 3-1/2” SINGLE STAGE (T20-05)	27
HYDRAULIC RAM – 3-1/2” TWO STAGE.....	28
HYDRAULIC RAM – MULTI STAGE.....	29
QUICK HITCH STAND	30
MANUAL TAILGATE ASSEMBLY	31
TAILGATE CATCH ASSEMBLY	32
HYDRAULIC HOSE ASSEMBLY	34

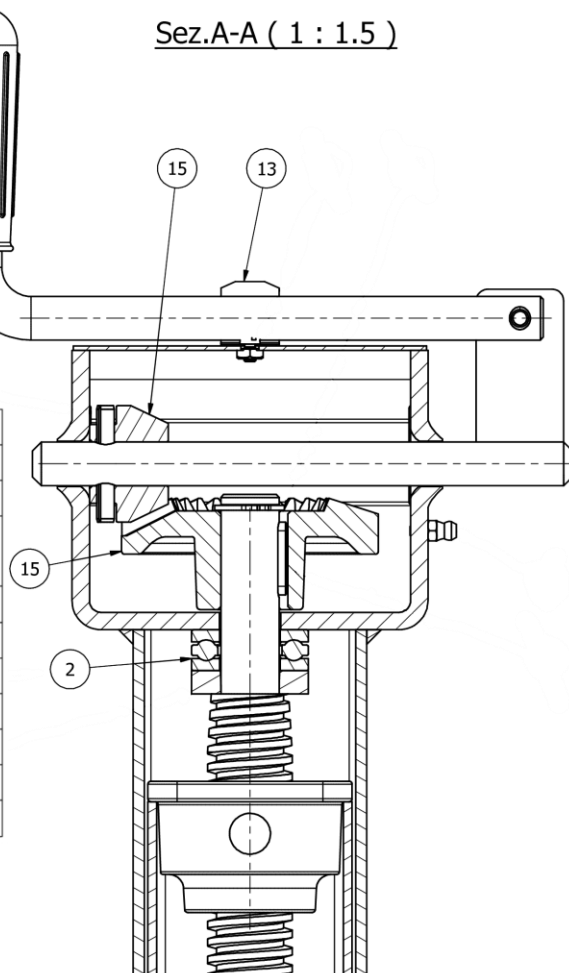
Transfers & Labels

Item	Giltrap Part #	Description	Quantity
1	995-3005	Decal 'Giltrap G T20-05'	2
1	995-3006	Decal 'Giltrap G T23-06'	2
1	995-3008	Decal 'Giltrap G T37-08'	2
1	995-3010	Decal 'Giltrap G T49-10'	2
1	995-3012	Decal 'Giltrap G T54-12'	2
1	995-3015	Decal 'Giltrap G T64-15'	2
1	995-3017	Decal 'Giltrap G T68-17'	2
1	995-3020	Decal 'Giltrap G T10-20'	2
2	995-3025	Decal 'G'	1
3	995-1225	Label 'Do Not Reach Under'	1
4	995-1228	Label 'Ensure Jack Is In'	1
5	995-1820	Adhesive plate with serial number	1

Jack Assembly Type 4 80mm

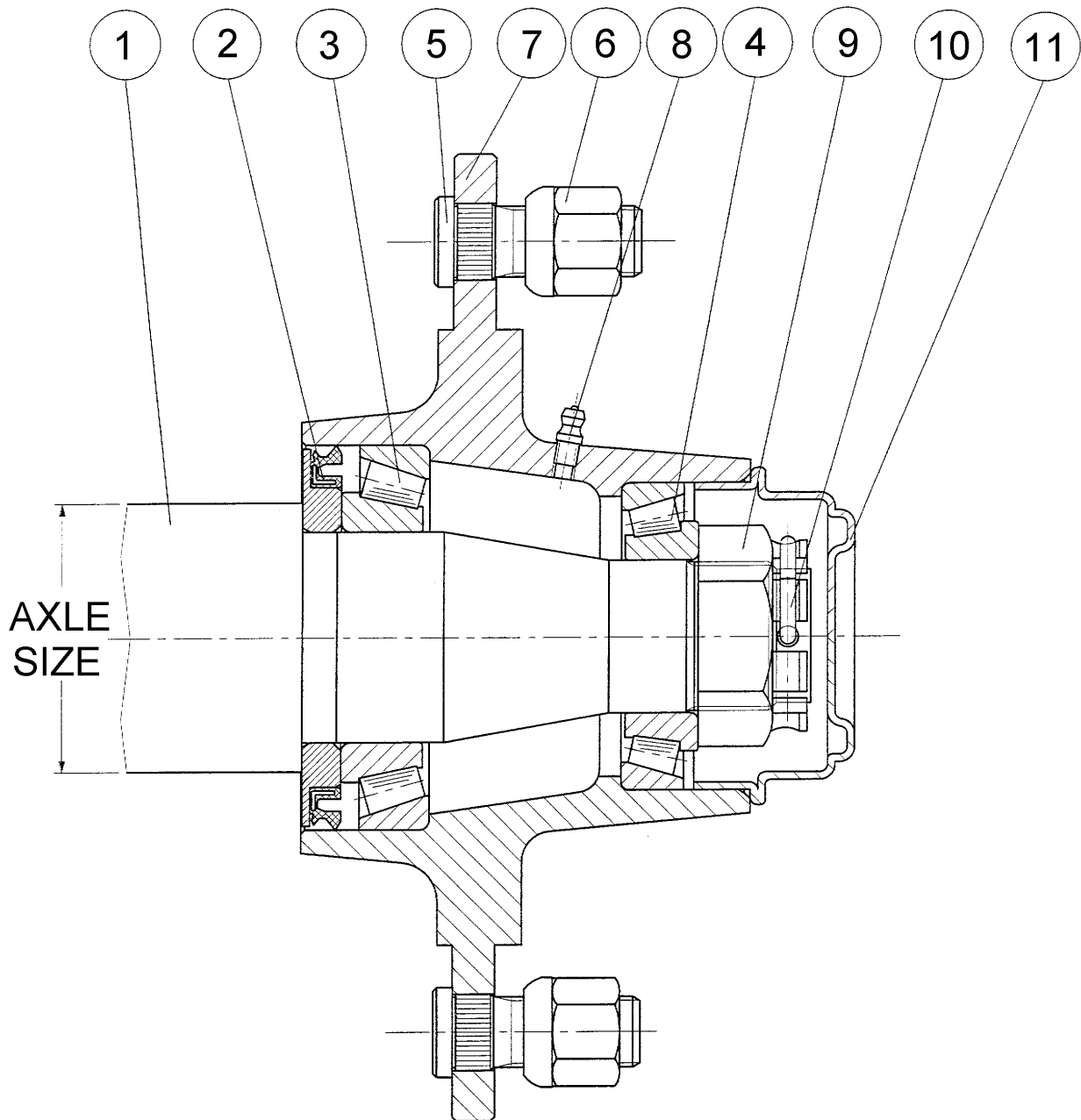


Sez.A-A (1 : 1.5)



Item	Part #	Description	Qty
1	301-4056-1	Handle	1
2	301-4060-1	Bearing	1
6	301-4061-1	Inner tube, foot & spindle	1
13	301-4062-1	Spring clip	1
15	301-4058-1	Pair of gears	1
18	301-4100	Jack sleeve	1
19	301-4200	Jack pin	1
20	FP10.006	Lynch pin	1
21	B12x100	Bolt, M12x100	2
22	NN12	Nut, Nyloc M12	2

Axle Hub – ADR

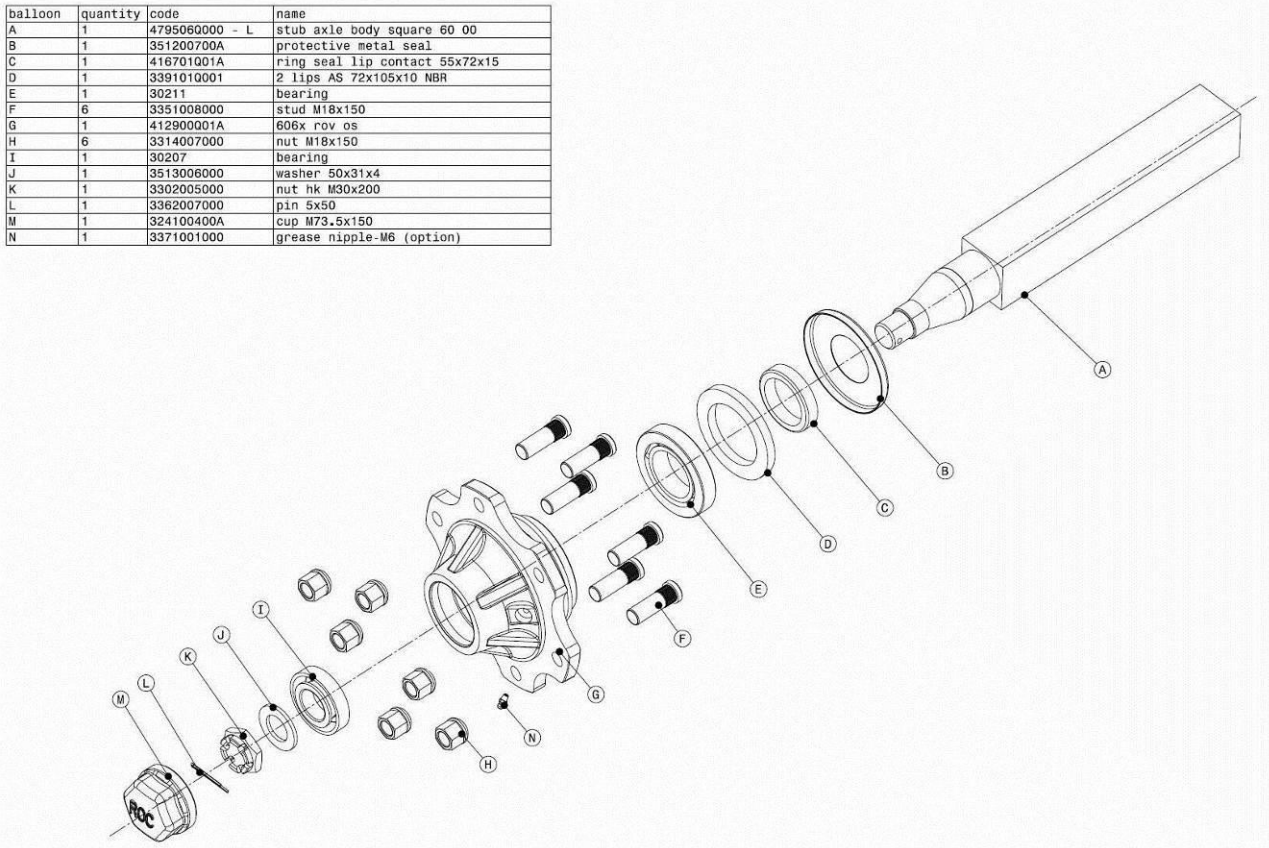


Axle Hub – ADR

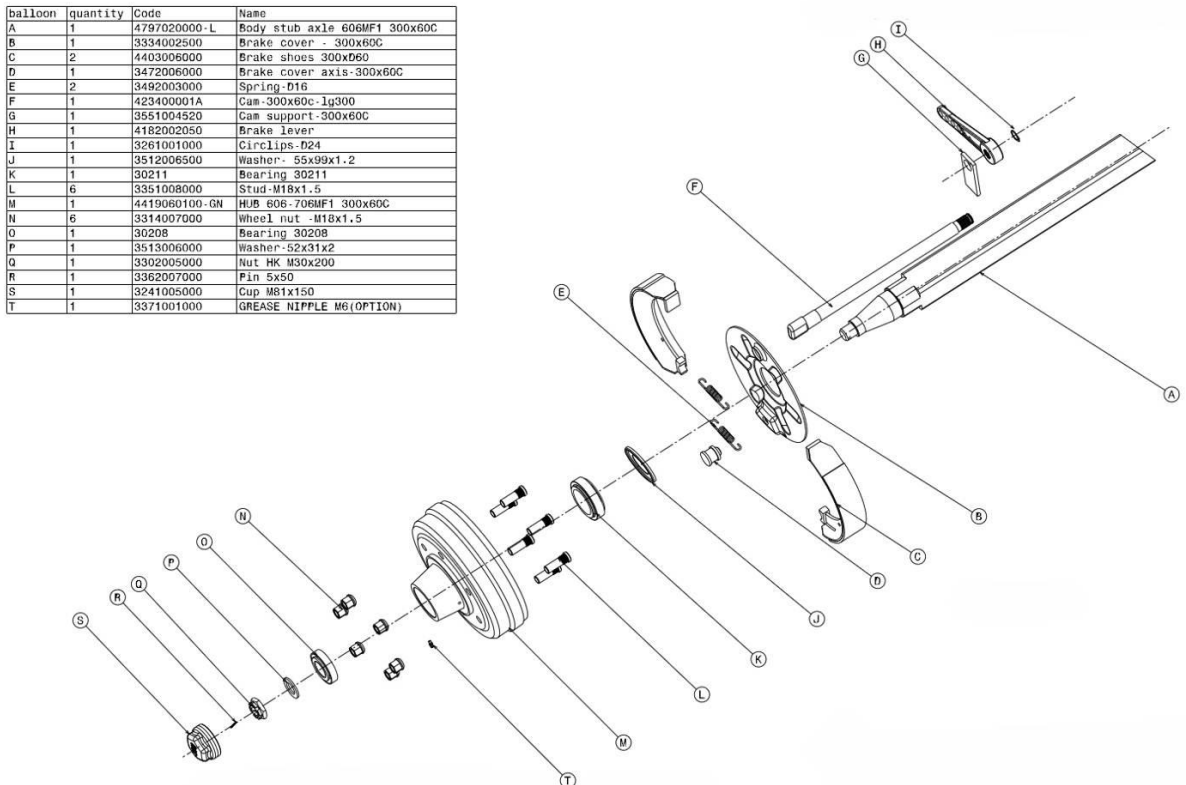
Item	Giltrap Part #	Description	Quantity			
			60mm	70mm	80mm	90mm
1	HUB2000KG	Complete Stub Axle, ADR 6 stud 60sq	1			
1	HUB3000KG	Complete Stub Axle, ADR 6 stud 70sq		1		
1	HUB4250KG	Complete Stub Axle, ADR 8 stud 80sq			1	
1	HUB5000KG	Complete Stub Axle, ADR 8 stud 90sq				1
2	110-0193	Seal 57x100x10 O/A (80x100x8 nom.)	1			
2	110-0194	Seal 67x120x12 O/A (100x120x10 nom.)		1		
2	110-0195	Seal 78x130x10 O/A (108x130x8 nom.)			1	
2	110-0196	Seal 82x140x10 O/A (119x140x8 nom.)				1
3	BRG30211J2	Taper Roller Bearing, 30211 J2	1			
3	BRG30213J2	Taper Roller Bearing, 30213 J2		1		
3	BRG32215J2	Taper Roller Bearing, 32215 J2			1	
3	BRG32216J2	Taper Roller Bearing, 32216 J2				1
4	BRG30208J2	Taper Roller Bearing, 30208 J2	1			
4	BRG32210J2	Taper Roller Bearing, 32210 J2		1		
4	BRG32212J2	Taper Roller Bearing, 32212 J2			1	
4	BRG32113J2	Taper Roller Bearing, 32213 J2				1
5	110-0945	Wheel Stud, M18x50	6	6	8	
5	110-0950	Wheel Stud, M20x60x1.5				8
6	110-0917	Wheel Nut, M18	6	6	8	
6	110-0919	Wheel Nut, M20x1.5				8
7	-	Hub Only, ADR 2350 kg 6 stud	1			
7	-	Hub Only, ADR 3400 kg 6 stud		1		
7	-	Hub Only, ADR 4250 kg 8 stud			1	
7	-	Hub Only, ADR 5000 kg 8 stud				1
8	GRN8-45	Grease Nipple, M8x1.0 45 deg	1	1	1	1
9	110-1047	Slotted Nut, M39x1.5	1			
9	110-1047	Slotted Nut, M39x1.5		1		
9	110-1060	Slotted Washer Nut, M48x1.5			1	
9	110-1060	Slotted Washer Nut, M48x1.5				1
10	-	Retaining Clip (or Split Pin SP5x70)	1			
10	-	Retaining Clip (or Split Pin SP5x70)		1		
10	-	Retaining Clip (or Split Pin SP5x80)			1	
10	-	Retaining Clip (or Split Pin SP5x90)				1
11	110-0799	Grease Cap ADR Pressed Steel - 80mm	1			
11	110-0881	Grease Cap ADR Pressed Steel - 90mm		1		
11	110-0883	Grease Cap ADR Pressed Steel - 110mm			1	
11	110-0884	Grease Cap ADR Pressed Steel - 120mm				1

Monroc 60mm Hubs

balloon	quantity	code	name
A	1	4795060000 - L	stub axle body square 60 00
B	1	351200700A	protective metal seal
C	1	416701001A	ring seal lip contact 55x72x15
D	1	3391010001	2 lips AS 72x105x10 NBR
E	1	30211	bearing
F	6	3351008000	stud M18x150
G	1	412900001A	606x rov os
H	6	3314007000	nut M18x150
I	1	30207	bearing
J	1	3513006000	washer 50x31x4
K	1	3302005000	nut hk M30x200
L	1	3362007000	pin 5x50
M	1	324100400A	cup M73.5x150
N	1	3371001000	grease nipple-M6 (option)

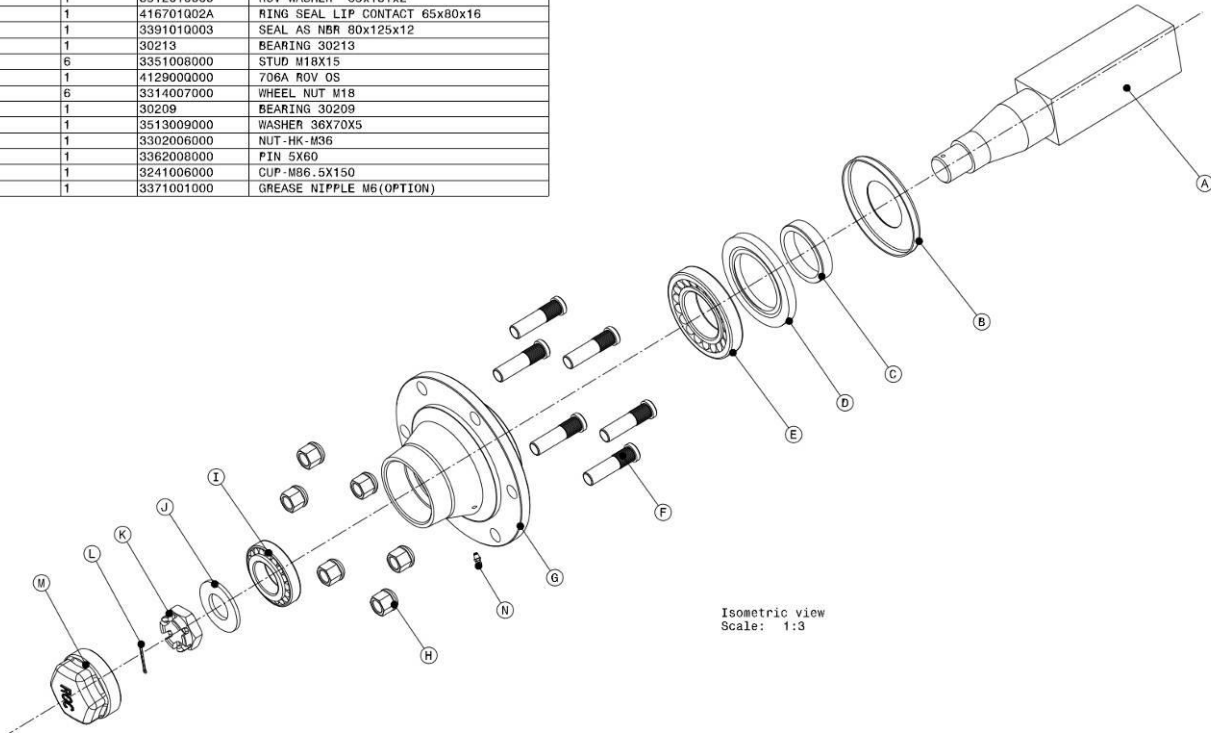


balloon	quantity	Code	Name
A	1	4797020000-L	Body stub axle 60MF1 300x60C
B	1	3334002500	Brake cover - 300x60C
C	2	4403006000	Brake shoes 300x60
D	1	3472006000	Brake cover axis-300x60C
E	2	3492003000	Spring-D16
F	1	423400001A	Cam-300x60c-1g300
G	1	3551004520	Cam support-300x60C
H	1	4182002050	Brake lever
I	1	3261001000	CircClips-B24
J	1	3512006500	Washer- 55x99x1.2
K	1	30211	Bearing 30211
L	6	3351008000	Stud-M18x1.5
M	1	4419060100-GN	HUB 606-706MF1 300x60C
N	6	3314007000	Wheel nut -M18x1.5
O	1	30208	Bearing 30208
P	1	3513006000	Washer-52x31x2
Q	1	3302005000	Nut HK M30x200
R	1	3362007000	Pin 5x50
S	1	3241005000	Cup M81x150
T	1	3371001000	GREASE NIPPLE M6 (OPTION)

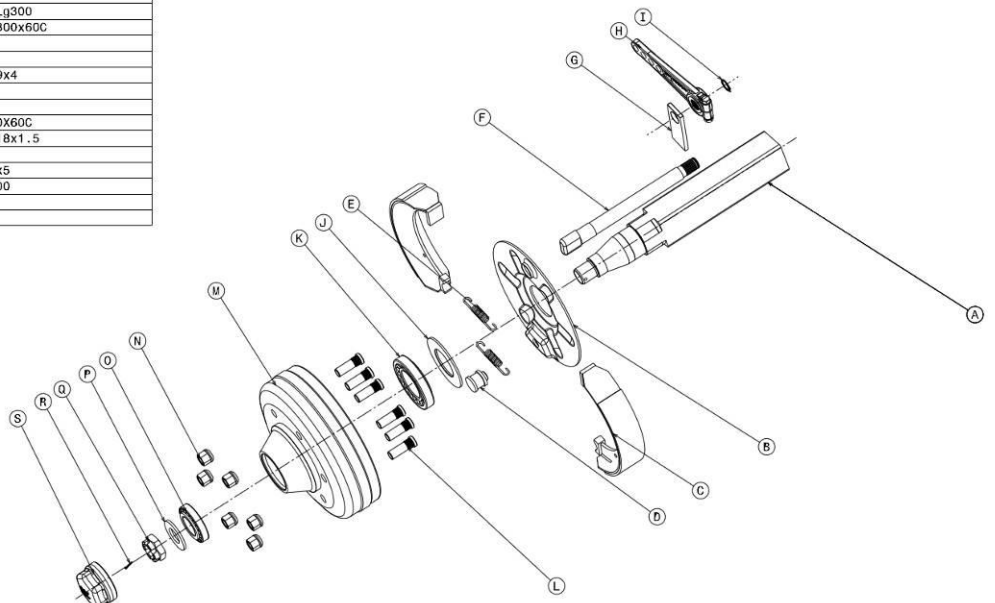


Monroc 70mm Hubs

balloon	quantity	code	name
A	1	4795070000-L	STUB AXLE BODY SQUARE 70 00
B	1	3512010000	ROV WASHER 65x131x2
C	1	416701002A	RING SEAL LIP CONTACT 65x80x16
D	1	3391010003	SEAL AS NBR 80x125x12
E	1	30213	BEARING 30213
F	6	3351008000	STUD M18X15
G	1	4129000000	706A ROV OS
H	6	3314007000	WHEEL NUT M18
I	1	30209	BEARING 30209
J	1	3513009000	WASHER 36x70x5
K	1	3302006000	NUT -HK-M36
L	1	3362008000	PIN 5X60
M	1	3241006000	CUP -M86.5X150
N	1	3371001000	GREASE NIPPLE M6(OPTION)

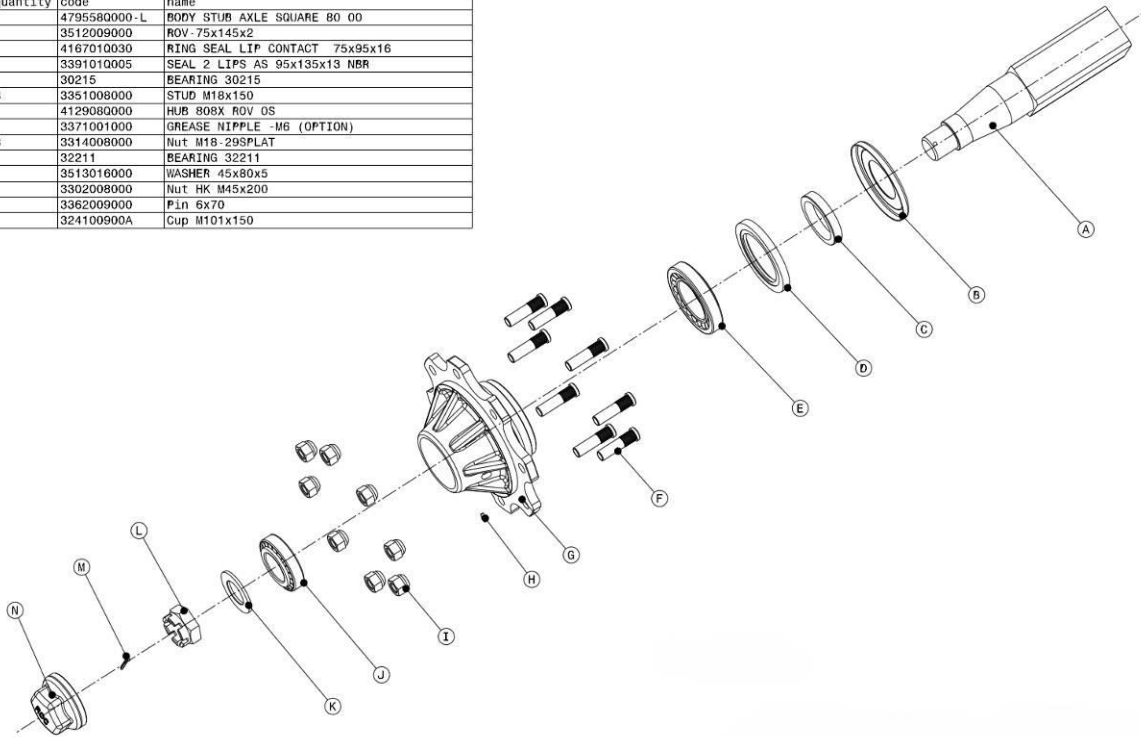


Balloon	Quantity	Code	Name
A	1	4797060000-L	Body STUB AXLE 706MF 300x60C
B	1	3334003000	Brake cover - 300x60C
C	2	4403006000	Brake shoes 300xD60
D	1	347200600A	Brake cover axis-300x60C
E	1	3492003000	Spring-D16
F	1	423400001A	Cam-300x60c-1g300
G	1	3551007000	Cam support-300x60C
H	1	2182008500	Brake lever
I	1	3261001000	Circlips-D24
J	1	3513023000	Washer 65x119x4
K	1	30213	Bearing
L	6	3351008000	Stud-M18x1.5
M	1	4419080100	Hub-706MF 300x60C
N	6	3314007000	Wheel nut -M18x1.5
O	1	30209	Bearing
P	1	3513009000	Washer 36x70x5
Q	1	3302006000	Nut HK M36x200
R	1	3362008000	Pin 5x60
S	1	3241006000	Cup M86x150

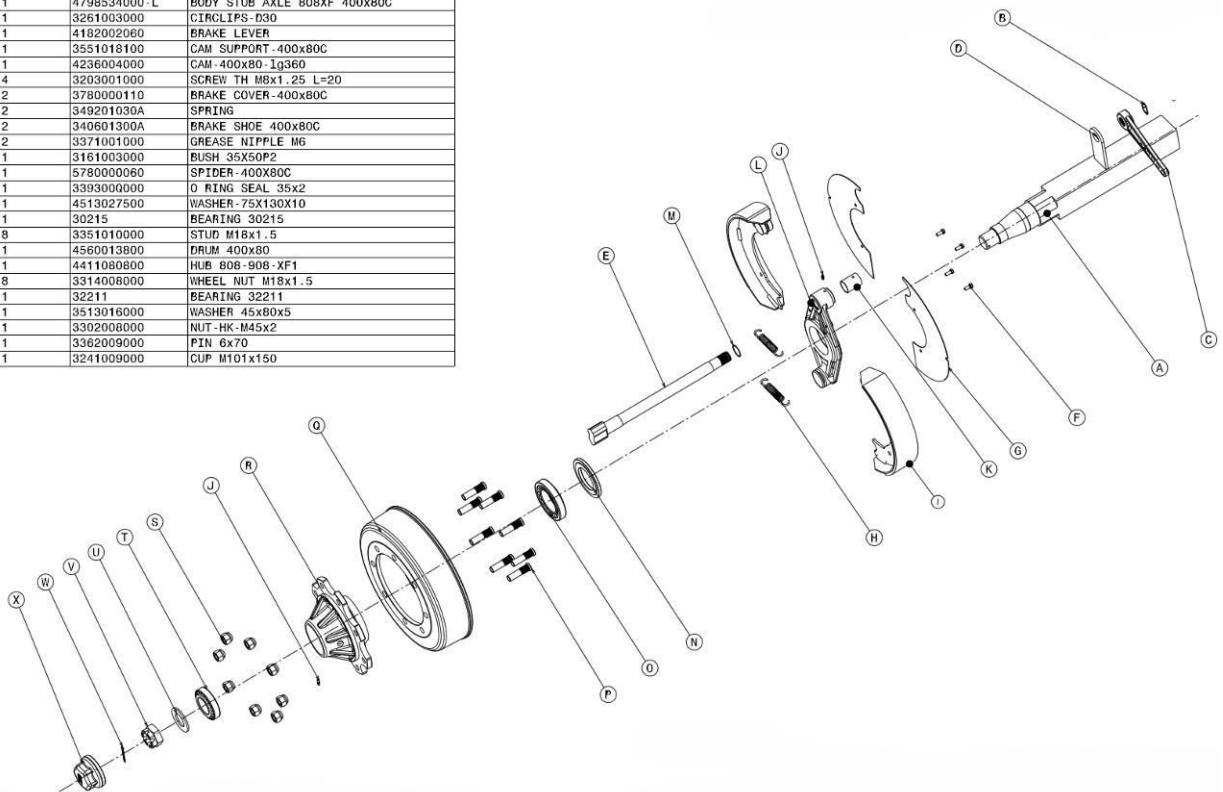


Monroc 80mm Hubs

balloon	quantity	code	name
A	1	479580000-L	BODY STUB AXLE SQUARE 80 00
B	1	3512009000	ROV-75x145x2
C	1	4167010030	RING SEAL LIP CONTACT 75x95x16
D	1	3391010005	SEAL 2 LIPS AS 95x135x13 NBR
E	1	30215	BEARING 30215
F	8	3351008000	STUD M18x150
G	1	4129080000	HUB 808X ROV OS
H	1	3371001000	GREASE NIPPLE -M6 (OPTION)
I	8	3314008000	Nut M18-29SPLAT
J	1	32211	BEARING 32211
K	1	3513016000	WASHER 45x80x5
L	1	3302008000	Nut HK M45x200
M	1	3362009000	Pin 6x70
N	1	324100900A	Cup M101x150

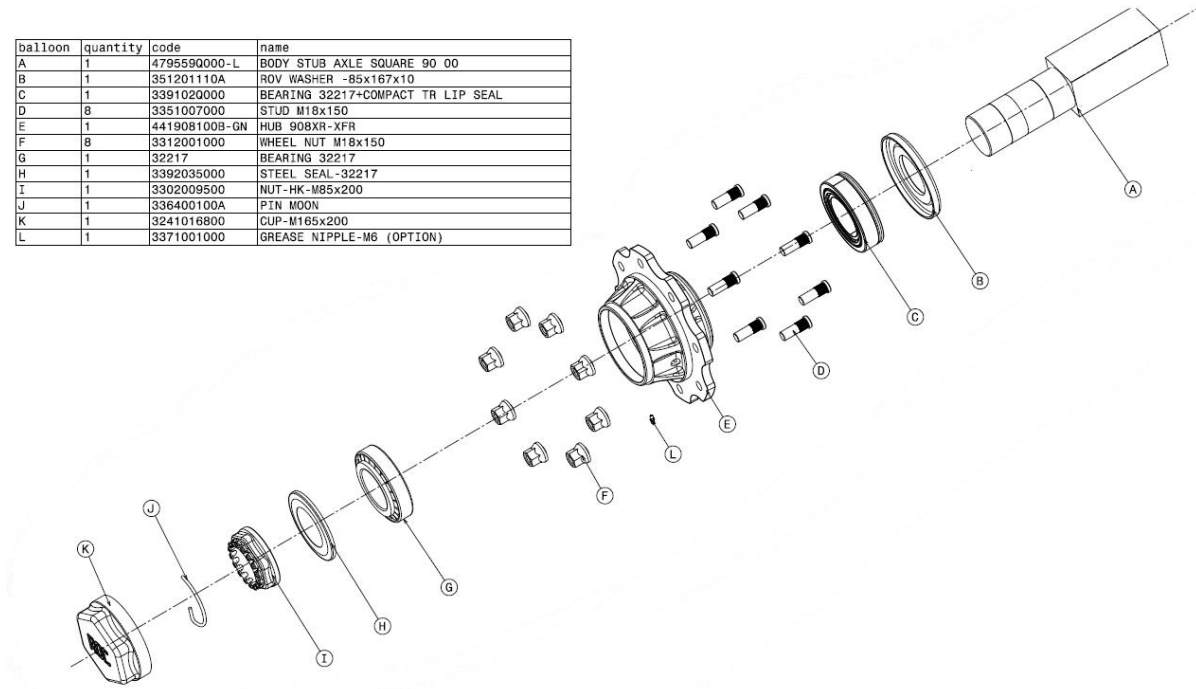


balloon	quantity	Code	Name
A	1	4798534000-L	BODY STUB AXLE 808XF 400x80C
B	1	3261003000	CIRCLIPS-D30
C	1	4182002060	BRAKE LEVER
D	1	3551018100	CAM SUPPORT-400x80C
E	1	4236004000	CAM-400x80-10360
F	4	3203001000	SCREW TH M8x1.25 L=20
G	2	3780000110	BRAKE COVER-400x80C
H	2	349201030A	SPRING
I	2	340601300A	BRAKE SHOE 400x80C
J	2	3371001000	GREASE NIPPLE M6
K	1	3161003000	BUSH 35x50P2
L	1	5780000060	SPIDER-400x80C
M	1	3393000000	O RING SEAL 35x2
N	1	4513027500	WASHER-75x130x10
O	1	30215	BEARING 30215
P	8	3351010000	STUD M18x1.5
Q	1	4560013800	DRUM 400x80
R	1	4411080800	HUB 808-908-XF1
S	8	3314008000	WHEEL NUT M18x1.5
T	1	32211	BEARING 32211
U	1	3513016000	WASHER 45x80x5
V	1	3302008000	NUT-HK-M45x2
W	1	3362009000	PIN 6x70
X	1	3241009000	CUP M101x150



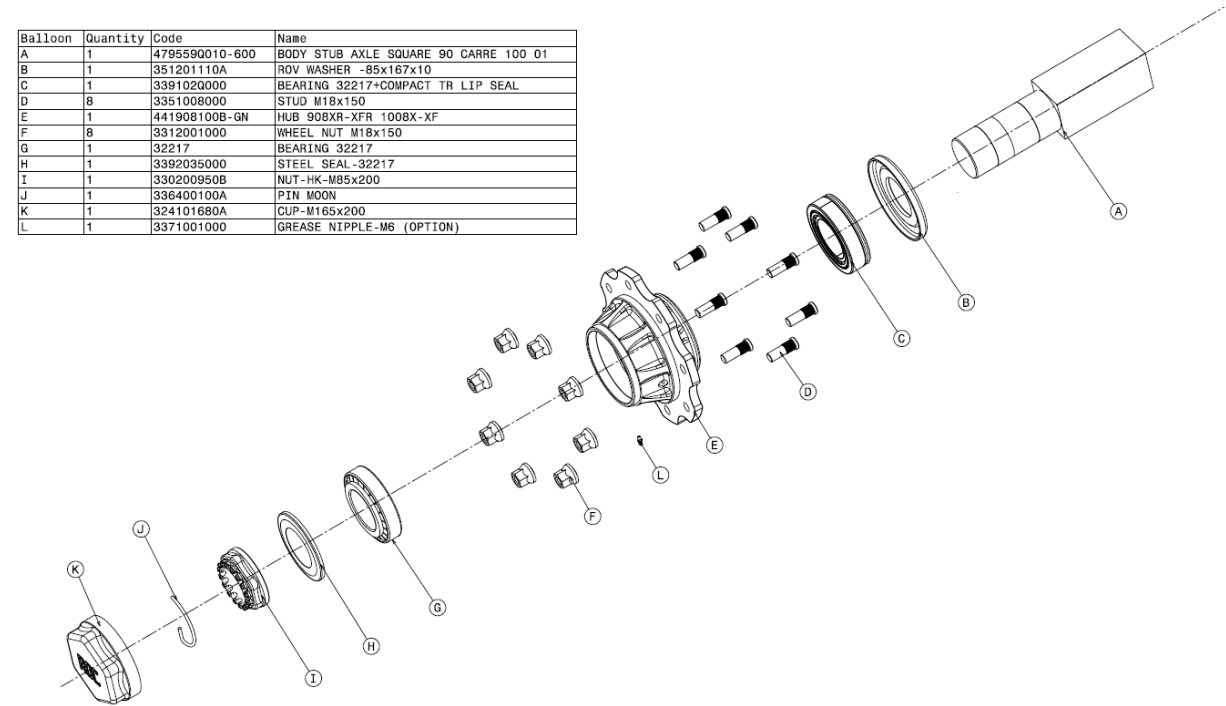
Monroc 90mm Hubs

balloon	quantity	code	name
A	1	4795590000-L	BODY STUB AXLE SQUARE 90 00
B	1	351201110A	ROV WASHER -85x167x10
C	1	3391020000	BEARING 32217+COMPACT TR LIP SEAL
D	8	3351007000	STUD M18x150
E	1	4419081008-GN	HUB 908XR-XFR
F	8	3312001000	WHEEL NUT M18x150
G	1	32217	BEARING 32217
H	1	3392035000	STEEL SEAL-32217
I	1	3302095000	NUT-HK-M85x200
J	1	336400100A	PIN MOON
K	1	3241016800	CUP-M165x200
L	1	3371001000	GREASE NIPPLE-M6 (OPTION)

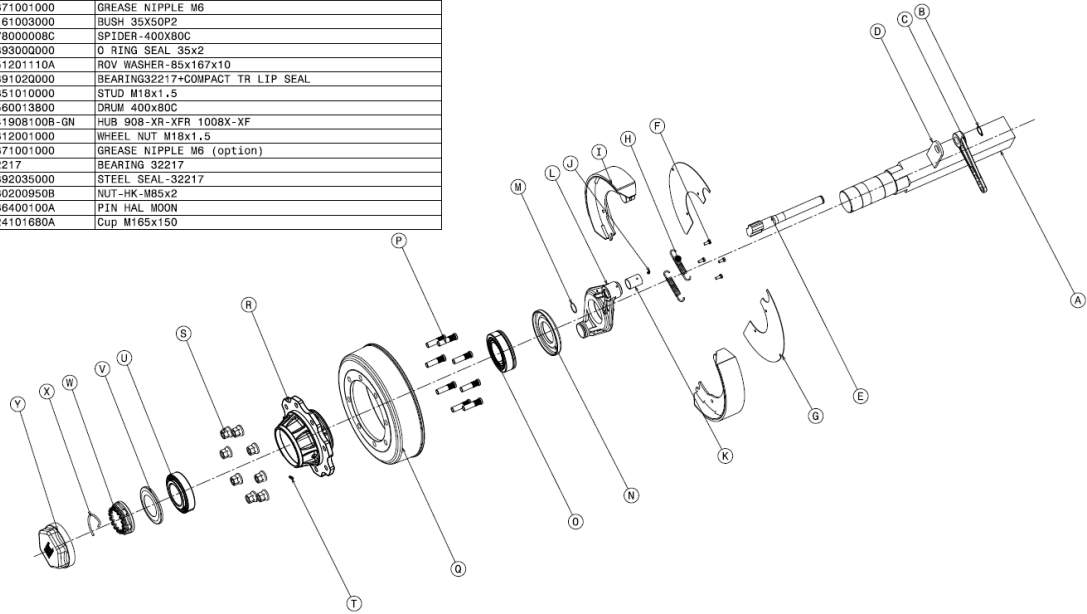


Monroc 100mm Hubs

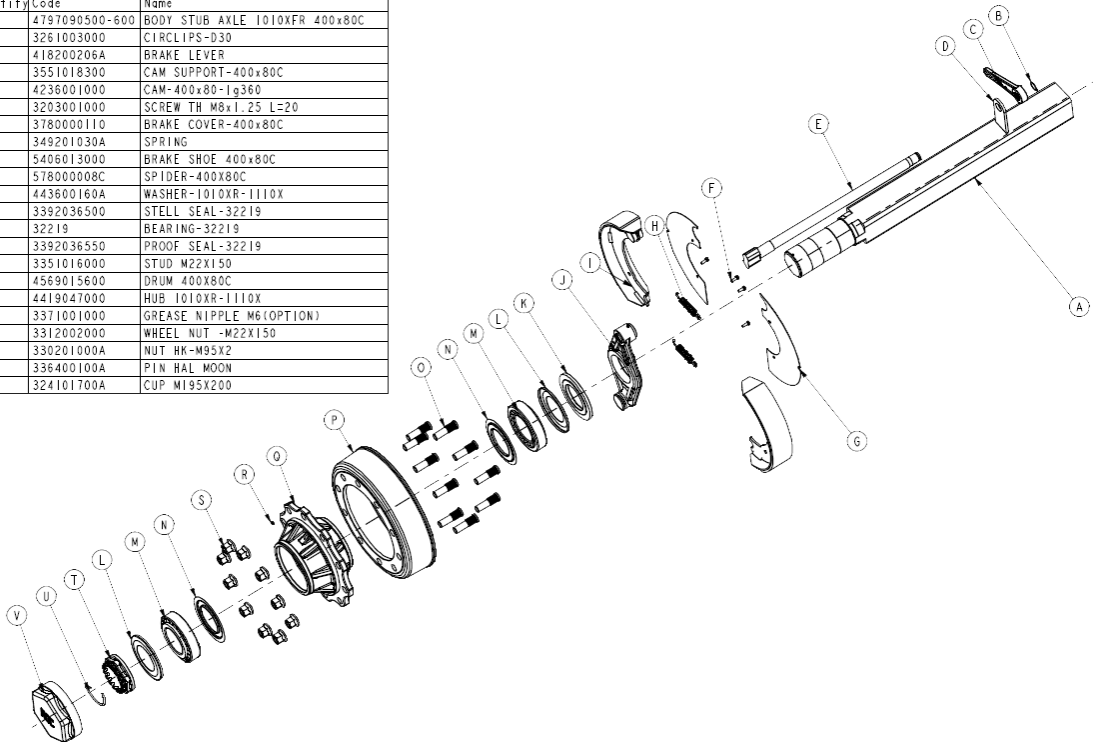
Balloon	Quantity	Code	Name
A	1	4795590010-600	BODY STUB AXLE SQUARE 90 CARRE 100 01
B	1	351201110A	ROV WASHER -85x167x10
C	1	3391020000	BEARING 32217+COMPACT TR LIP SEAL
D	8	3351008000	STUD M18x150
E	1	4419081008-GN	HUB 908XR-XFR 1008X-XF
F	8	3312001000	WHEEL NUT M18x150
G	1	32217	BEARING 32217
H	1	3392035000	STEEL SEAL-32217
I	1	330209500B	NUT-HK-M85x200
J	1	336400100A	PIN MOON
K	1	324101680A	CUP-M165x200
L	1	3371001000	GREASE NIPPLE-M6 (OPTION)



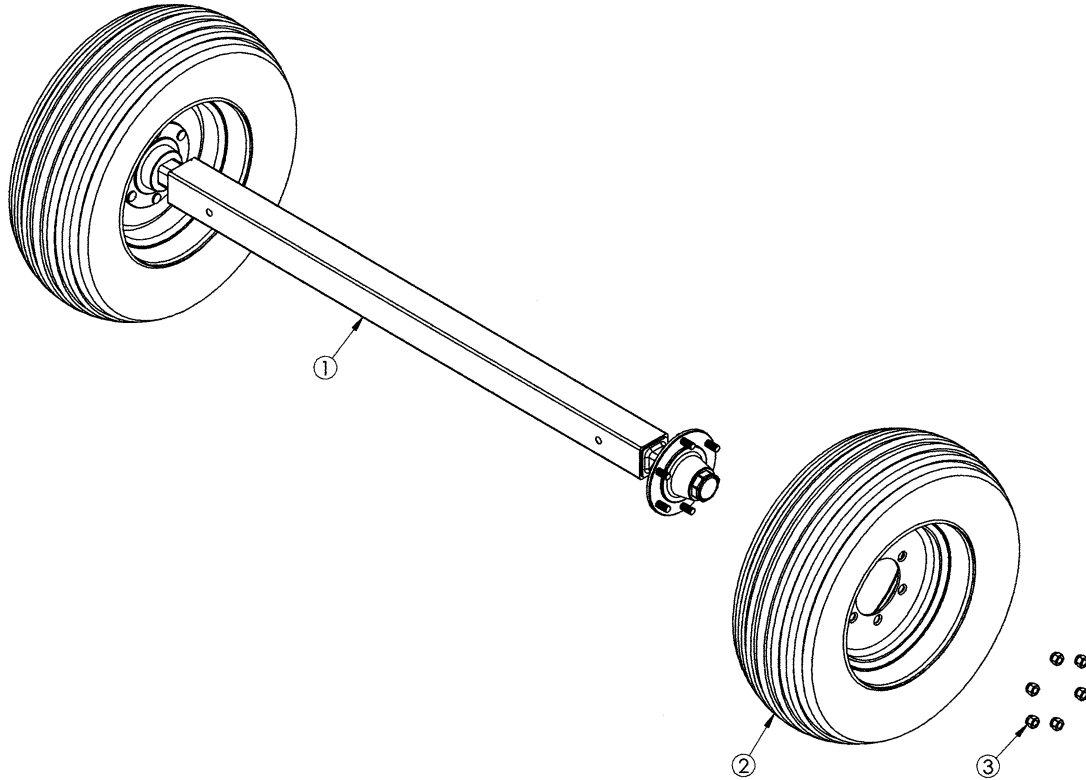
Balloon	Quantity	Code	Name
A	1	4798590010-600	BODY STUB AXLE 1008XF 90 BRAKED SQUARE 100 01
B	1	3261003000	CIRCLIPS-D30
C	1	418200206A	BRAKE LEVER
D	1	3551018300	CAM SUPPORT-400x80C
E	1	4236001000	CAM-400x80-1g360
F	4	3203001000	SCREW TH M8x1.25 L=20
G	2	3780000110	BRAKE COVER-400x80C
H	2	349201030A	SPRING
I	2	5406013000	BRAKE SHOE 400x80C
J	1	3371001000	GREASE NIPPLE M6
K	1	3161003000	BUSH 35X50P2
L	1	578000008C	SPIDER-400X80C
M	1	3390000000	O RING SEAL 35x2
N	1	351201110A	ROV WASHER-85x167x10
O	1	3391020000	BEARING32217+COMPACT TR LIP SEAL
P	8	3351010000	STUD M18x1.5
Q	1	4560013800	DRUM 400x80C
R	1	4419081008-GN	HUB 908-XR-XFR 1008X-XF
S	8	3312001000	WHEEL NUT M18x1.5
T	1	3371001000	GREASE NIPPLE M6 (option)
U	1	32217	BEARING 32217
V	1	3392035000	STEEL SEAL-32217
W	1	330200950B	NUT-HK-M85x2
X	1	336400100A	PIN HAL MOON
Y	1	324101680A	Cup M185x150



Balloon	Quantity	Code	Name
A	1	4797090500-600	BODY STUB AXLE 1010XFR 400x80C
B	1	3261003000	CIRCLIPS-D30
C	1	418200206A	BRAKE LEVER
D	1	3551018300	CAM SUPPORT-400x80C
E	1	4236001000	CAM-400x80-1g360
F	4	3203001000	SCREW TH M8x1.25 L=20
G	2	3780000110	BRAKE COVER-400x80C
H	2	349201030A	SPRING
I	2	5406013000	BRAKE SHOE 400x80C
J	1	578000008C	SPIDER-400X80C
K	1	443600160A	WASHER-1010XR-1110X
L	2	3392036500	STELL SEAL-32219
M	2	32219	BEARING-32219
N	2	3392036550	PROOF SEAL-32219
O	10	3351016000	STUD M22X150
P	1	4569015600	DRUM 400x80C
Q	1	4419047000	HUB 1010XR-1110X
R	1	3371001000	GREASE NIPPLE M6(OPTION)
S	10	3312002000	WHEEL NUT -M22X150
T	1	330201000A	NUT HK-M95X2
U	1	336400100A	PIN HAL MOON
V	1	324101700A	CUP M195X200

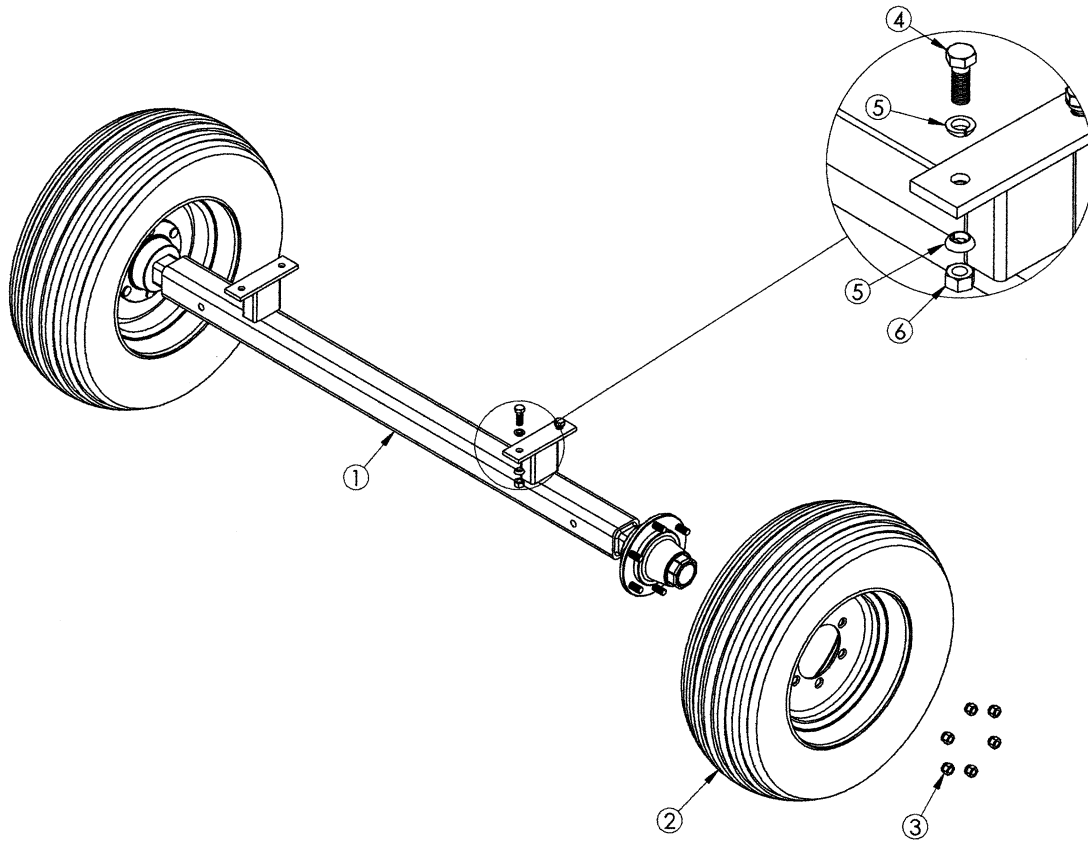


Single Axle Assembly – T20-05



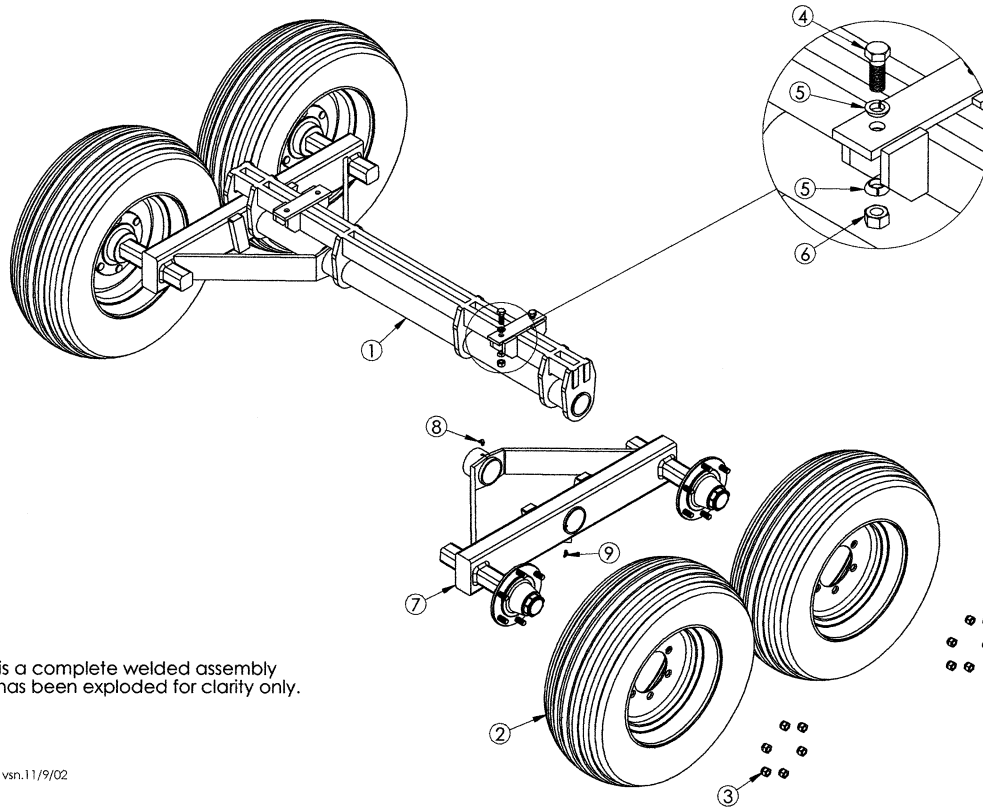
Item	Giltrap Part #	Description	Quantity
1	-	Axle Beam, T20-05	1
2	WHLA11.5/80-12	Wheel Assembly 11.5/80x15.3	2
3	110-0917	Wheel Nut, M18x1.5	12

Single Axle Assembly – T23-06 & T37-08



Item	Giltrap Part #	Description	Quantity Used	
			T23-06	T37-08
1		Axle Beam	1	
1		Axle Beam		1
2	WHLA11.5/80-12	Wheel Assembly 11.5/80x15.3	2	-
2	WHLA400/60-15.5	Wheel Assembly 400/60x15.5	-	2
3	110-0917	Wheel Nut, M18x1.5	12	12
4	B16x45	Bolt, M16x45	4	4
5	S51239	Washer, Conical M16	8	8
6	N16	Nut, M16	4	4

Tandem Axle Assembly – T23-06 & T37-08

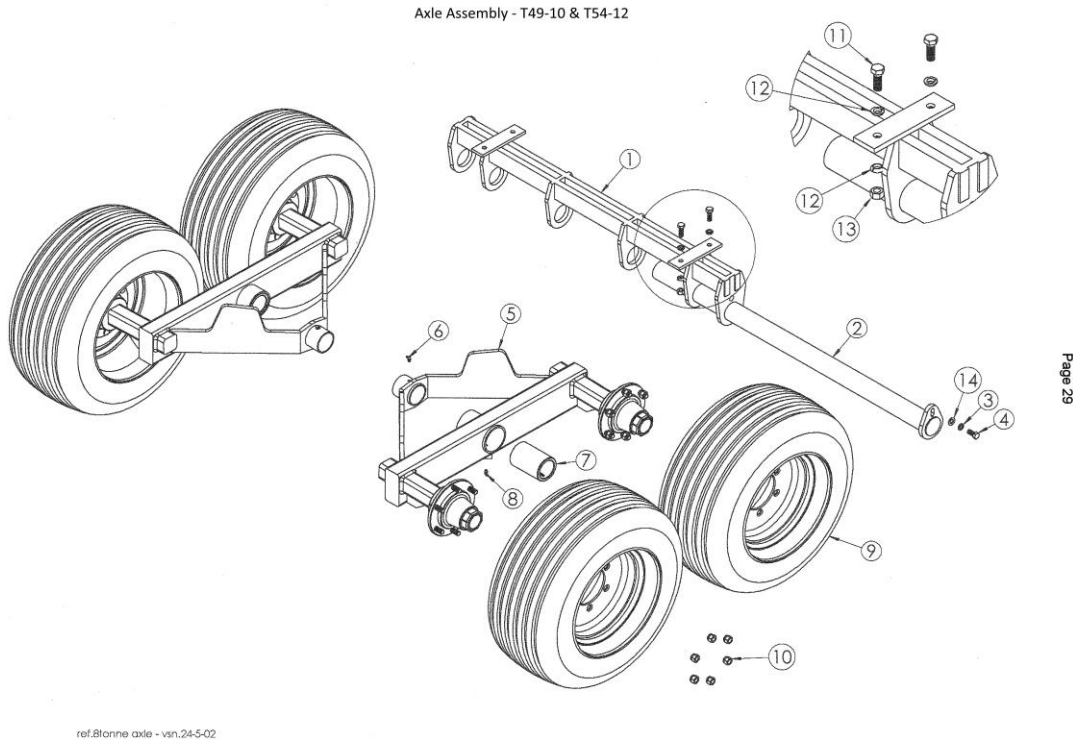


Note: Axle is a complete welded assembly and has been exploded for clarity only.

ref.61 tandem - vsn.11/9/02

Item	Giltrap Part #	Description	Quantity Used	
			T23-06	T37-08
1	110-0702	Axle Beam	1	-
1	110-0700	Axle Beam	-	1
2	WHLA 11.5/80-12	Wheel Assembly 11.5/80x15.3	4	4
3	110-0917	Wheel Nut, M18x1.5	24	24
4	B16x45	Bolt, M16x45	4	4
5	S51239	Washer, Conical M16	8	8
6	N16	Nut, M16	4	4
7	110-0250	Hub Mount, 60sq Hubs	2	2
8	GRN1/8-90	Grease Nipple, 1/8" BSP 90deg	2	2
9	GRN1/8-90	Grease Nipple, 1/8" BSP 90deg	2	2

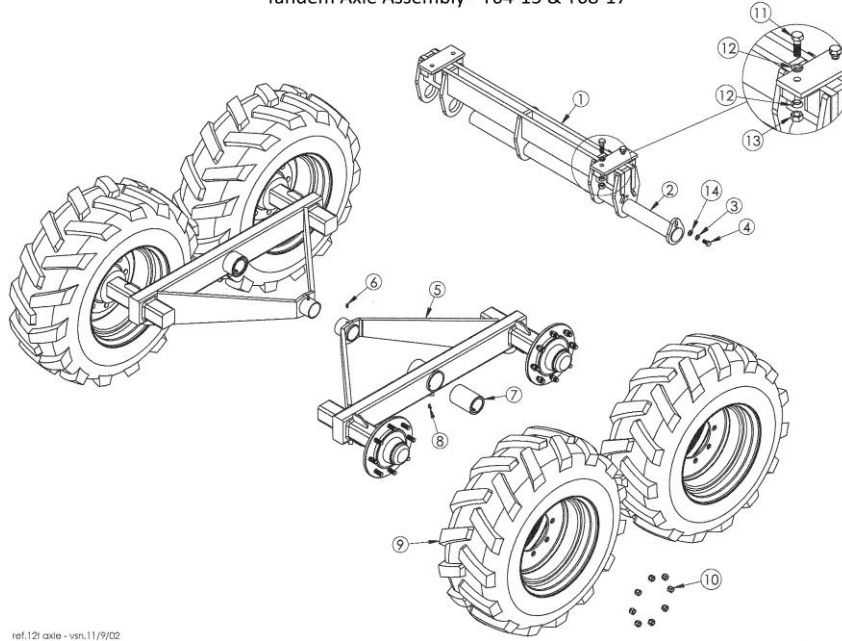
Tandem Axle Assembly – T49-10 & T54-12



Item	Giltrap Part #	Description	Quantity Used
1	110-0716	Axle Beam	1
2	110-0730	Axle Pin	1
3	WASG16	Washer, Spring M16	1
4	B16x30	Bolt, M16x30	1
5	110-0267	Hub Mount, 70sq Hubs	2
6	GRN1/8-90	Grease Nipple, 1/8" BSP 90deg	2
7	110-0114	Bush	2
8	GRN1/8-90	Grease Nipple, 1/8" BSP 90deg	2
9	WHLA15/70-18	Wheel Assembly 15/70-18	4
10	110-0917	Wheel Nut, M18x1.5	24
11	B16x45	Bolt, M16x45	4
12	S51239	Washer, Conical M16	8
13	N16	Nut, M16	4
14	WA16	Washer, Flat M16	1

Tandem Axle Assembly – T64-15 & T68-17

Tandem Axle Assembly - T64-15 & T68-17

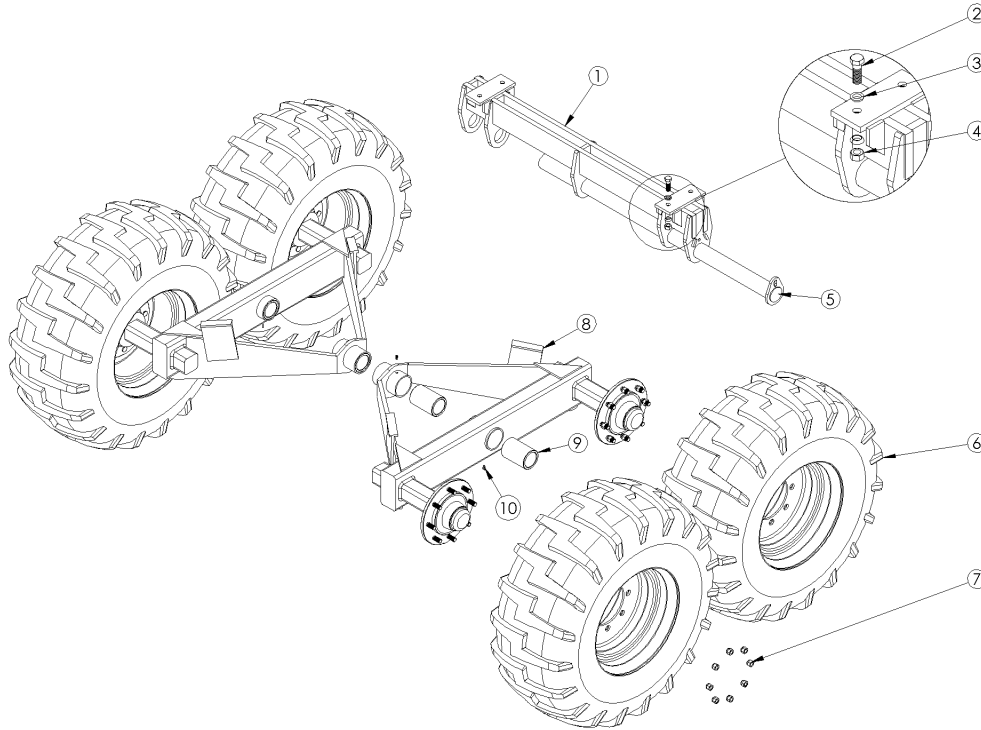


Page 31

ref.121 axle - vsn.11/9/02

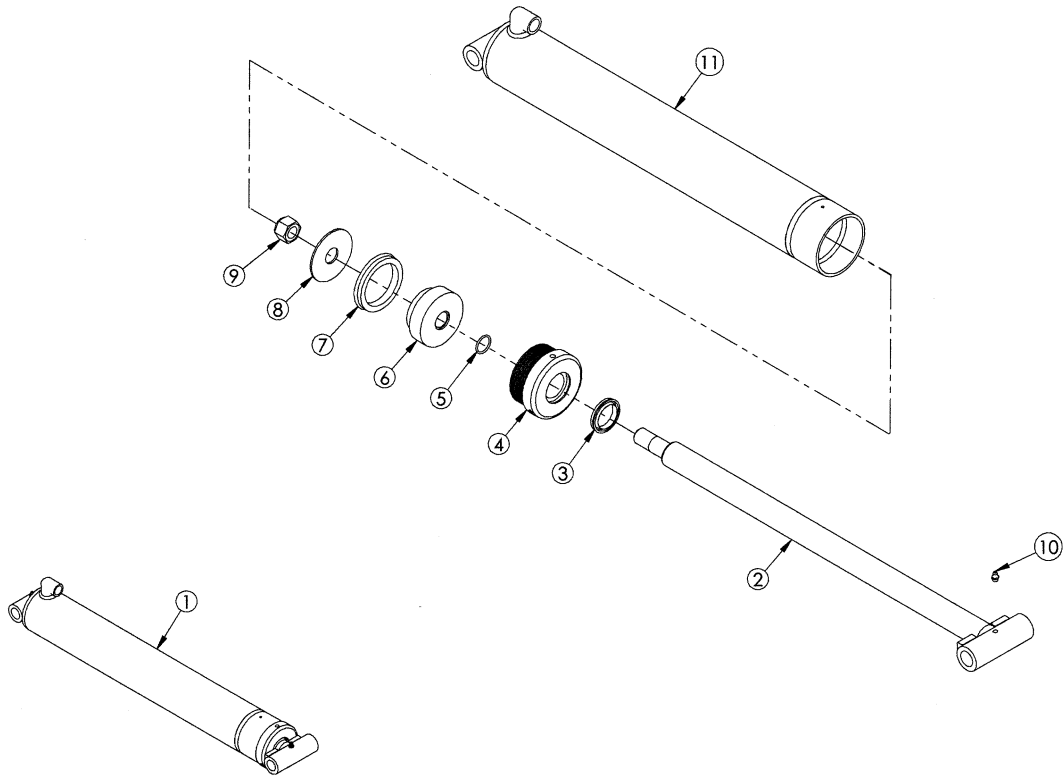
Item	Giltrap Part #	Description	Quantity Used	
			T64-15	T68-17
1	110-0725	Axle Beam	1	1
2	110-0737	Axle Pin	1	1
3	WASG16	Washer, Spring M16	1	1
4	B16x30	Bolt, M16x30	1	1
5	110-0268	Hub Mount, 90sq Hubs	2	2
6	GRN1/8-90	Grease Nipple, 1/8" BSP 90deg	2	2
7	110-0114	Bush	2	2
8	GRN1/8-90	Grease Nipple, 1/8" BSP 90deg	2	2
9	WHLA15/70-18	Wheel Assembly, 15/70-18	4	-
9	WHLA405/70R20	Wheel Assembly, 405/70R20	-	4
10	110-0909	Wheel Nut, M20x1.5 (may c/w conical washer)	24	24
11	B20X60	Bolt, M20x60	4	4
12	S51245	Washer, Conical M20	8	8
13	N20	Nut, M20	4	4
1	WA16	Washer, Flat M16	1	1

Tandem Axle Assembly – T10-20



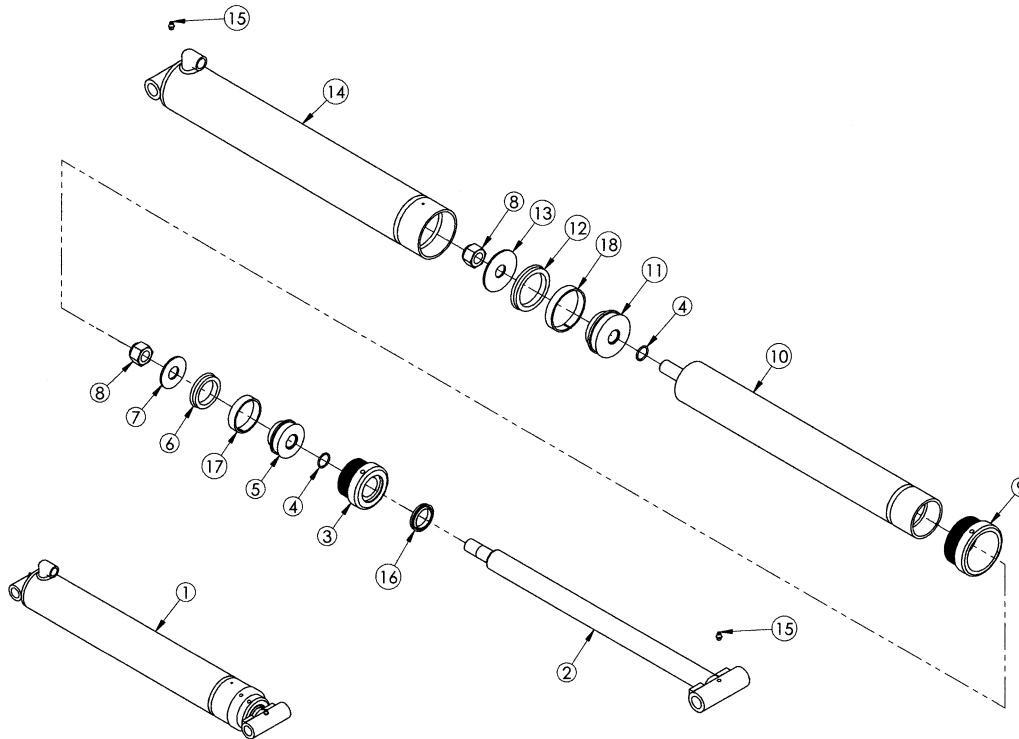
Item	Giltrap Part #	Description	Quantity Used
1	110-0426-1	Axle Beam	1
2	B20X60	Bolt, M20x60	4
3	S51245	Washer, Conical M20	8
4	N20	Nut, M20	4
5		Axle Pin	1
6	WHLA550/60-22.5	Wheel Assembly 550/60-22.5	2
7	110-0909	Wheel Nut, M20x1.5 (may c/w conical washer)	2
8		Hub mount	2
9	110-0324	Axle Bush 4" steel outer	4
10	B20X60	Grease Nipple, 1/8" BSP 90deg	4

Hydraulic Ram – 3-1/2” Single Stage (T20-05)



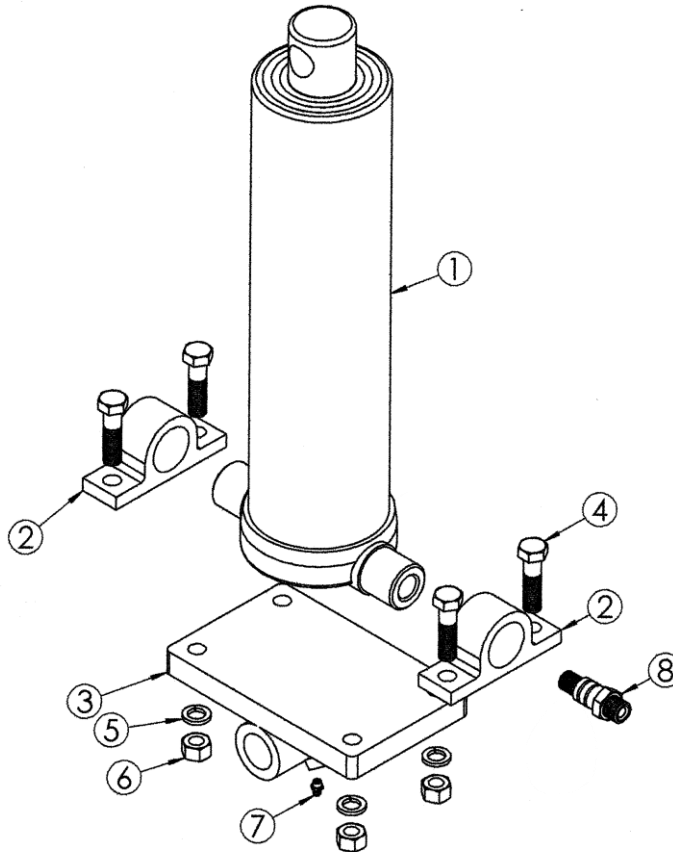
Item	Giltrap Part #	Description	Quantity
1	4.5TRAM	Complete Ram	1
2	600-1040	Spear Assembly	1
3	SLW67-40	Seal, Wyclip 67-40	1
4	600-0773	Retaining Head, Cast Iron	1
5	OR120	O-Ring 120, 1x3/32	1
6	600-1019	Piston, 3-1/2"	1
7	SLUSAL32	Seal, 3-1/2x2-3/4x1/2 U Ring	1
8	WA25x85x3	Washer, Flat 26x85x3 Black	1
9	NNF1x14TPI	Nut, Nyloc 1x14 TPI	1
10	GRN8-ST	Grease Nipple, M8x1.0 Straight	2
11	600-0927	Cylinder, Lower 3-1/2"	1
-	SLK3T-1	Seal Kit (includes #3 , #5, #7)	1

Hydraulic Ram – 3-1/2” Two Stage



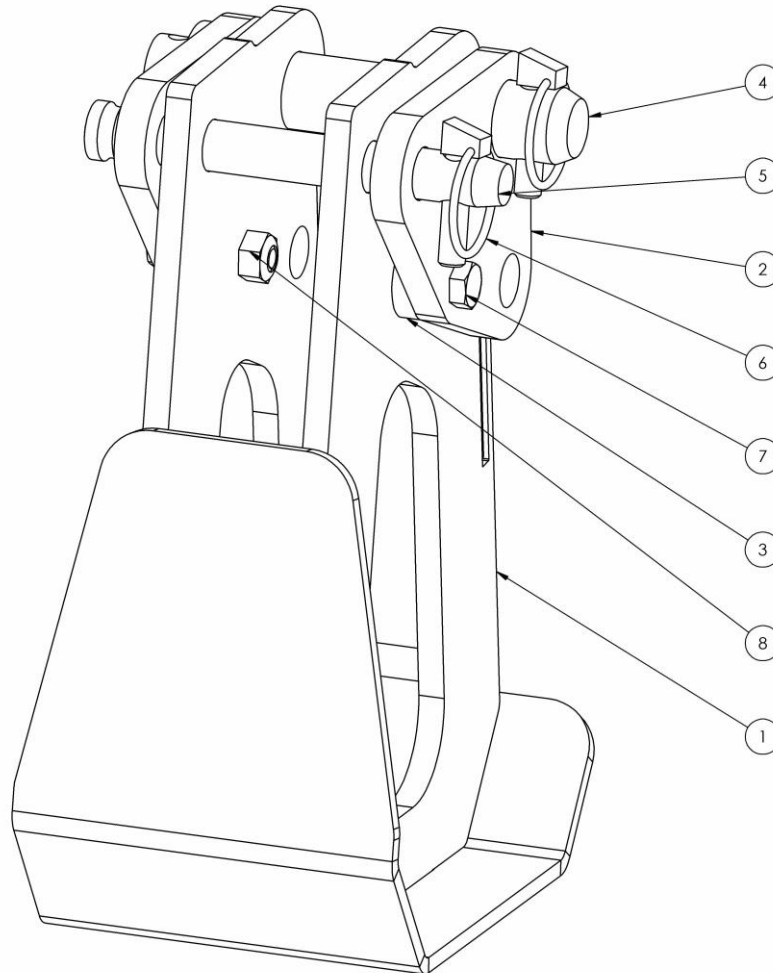
Item	Giltrap Part #	Description	Quantity Used	
			T23-06	T37-08
1	5TRAM	Complete Ram	1	-
1	6TRAM	Complete Ram	-	1
2	600-1047	Spears Assembly, 40mm	1	-
2	600-1061	Spears Assembly, 40mm	-	1
3	600-0760	Retaining Head, Bronze 40mm	1	1
4	OR120	O-Ring 120, 1x3/32	2	2
5	600-1012	Piston, 2-3/4" plain	1	1
5	600-1012-1	Piston, 2-3/4" c/w wear ring groove (where fitted)	1	1
6	SLUSAL27	Seal 2-3/4x2x9/16 U Ring	1	1
7	WA25x65x3	Washer, Flat 26x65x3 Black	1	1
8	NNF1x14TPI	Nut, Nyloc 1x14 TPI	2	2
9	600-0776	Retaining Head, Bronze	1	1
10	600-0941	Cylinder, Upper 2-3/4"	1	-
10	600-0955	Cylinder, Upper 2-3/4"	-	1
11	600-1019	Piston, 3-1/2" plain	1	1
11	600-1019-1	Piston, 3-1/2" c/w wear ring groove (where fitted)	1	1
12	SLUSAL32	Seal 3-1/2x2-3/4x1/2 U Ring	1	1
13	WA25x85x3	Washer, Flat 26x85x3 Black	1	1
14	600-0934	Cylinder, Lower 3-1/2"	1	-
14	600-0948	Cylinder, Lower 3-1/2"	-	1
15	GRN8-ST	Grease Nipple, M8x1.0 Straight	2	2
16	SLW67-40	Wiper Seal, 40mm (where fitted)	1	1
17	BRGR-3x5/8x1/8	Wear Ring, 2-3/4" (where fitted)	1	1
18	-	Wear Ring, 3-1/2" (where fitted)	1	1
-	SLK5T-1	Seal Kit (includes #4 (x2), #6, #12, #16, #17)	1	1

Hydraulic Ram – Multi Stage



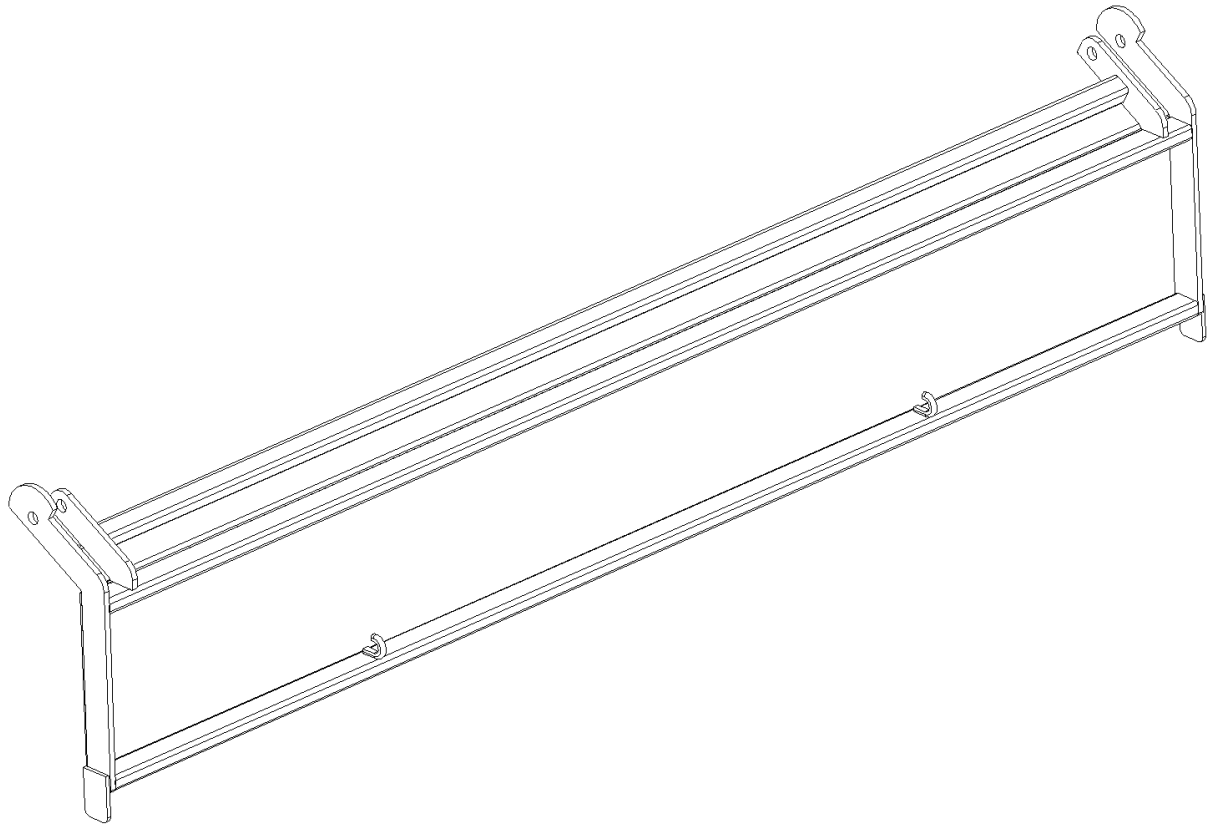
Item	Giltrap Part #	Description	Quantity Used		
			T49-10	T54-12 & T64-15	T68-17 & T10-20
1	RAMTT170.41.80	Hydraulic Ram, 4 Stage	1	-	-
1	RAMTT215.55.90	Hydraulic Ram, 5 Stage	-	1	2
2	RAMTT.45FOOTMOUNT	Bolt-On Foot Mount	2	2	4
3	900-0472	Swivel Mount Base	1	-	-
3	900-0485	Swivel Mount Base	-	1	1
4	B16X60	Bolt, M16x60	4	4	4
5	WASG16	Washer, Spring M16	4	4	4
6	N16	Nut, M16	4	4	4
7	GRN8-ST	Grease Nipple, M8x1.0 Straight	1	1	1
8	RAMTT-INLET	Threaded Inlet Fitting	1	1	1
-	SLK8T	Seal Kit, 4 Stage Ram	1	-	
-	SLK12T	Seal Kit, 5 Stage Ram	-	1	

Quick Hitch Stand



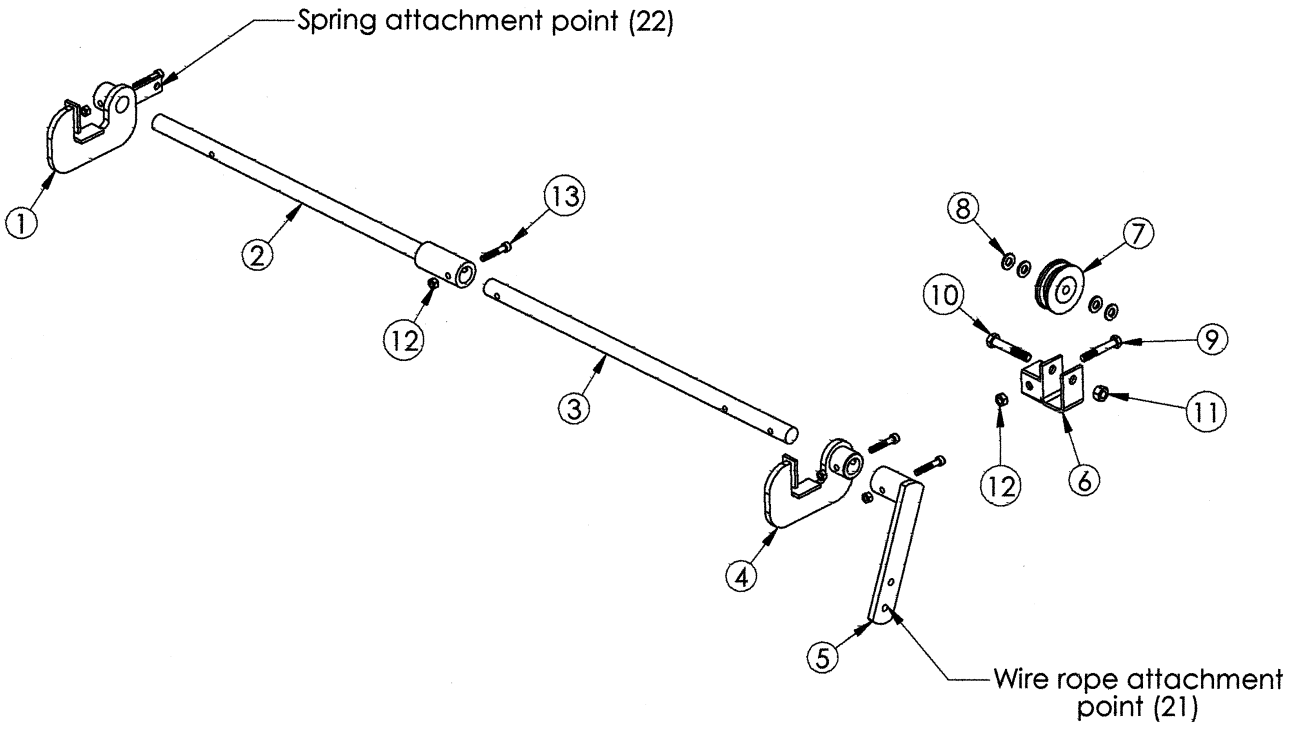
Item	Giltrap Part #	Description	Quantity Used	
			T20-05, T23-06, T37-08	T49-10 & T60-12
1	14004	Quick Hitch Foot	1	1
2	14004-4	Multi Spacer	2	2
3*	14004-5	Washer Spacer	2	-
4	GBB2662	Pivot Pin, QH Foot - 5-12T Tip Trailer	1	1
5	S.77	Top Link Pin 19x127mm Cat.1	1	1
6	45292	7/16 X 1 1/2 Lynch Pin	2	2
7	B10X40	Bolt, M10X40	2	2
8	NN10	Nut, Nyloc M10	2	2

Manual Tailgate Assembly

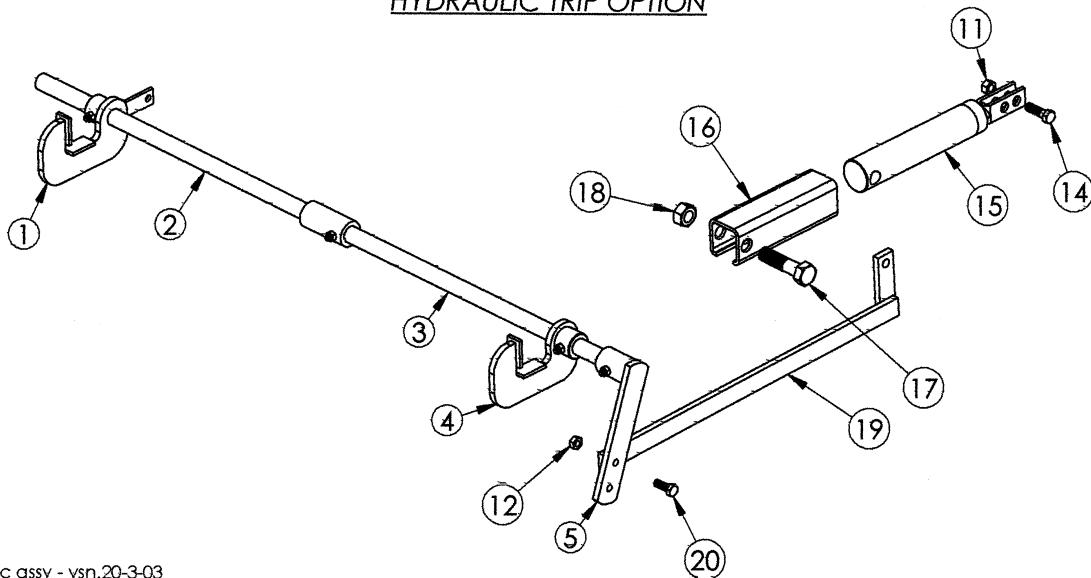


Item	Giltrap Part #	Description	Quantity Used		
			T20-05 & T23-06	T37-08	T49-10, T54-12 & T64-15
1	900-0602	Tailgate – T20-05 & T23-06	1		
1	900-0865	Tailgate – T37-08		1	
1	900-0604	Tailgate – T49-10, T54-12 & T64-15			1

Tailgate Catch Assembly



HYDRAULIC TRIP OPTION

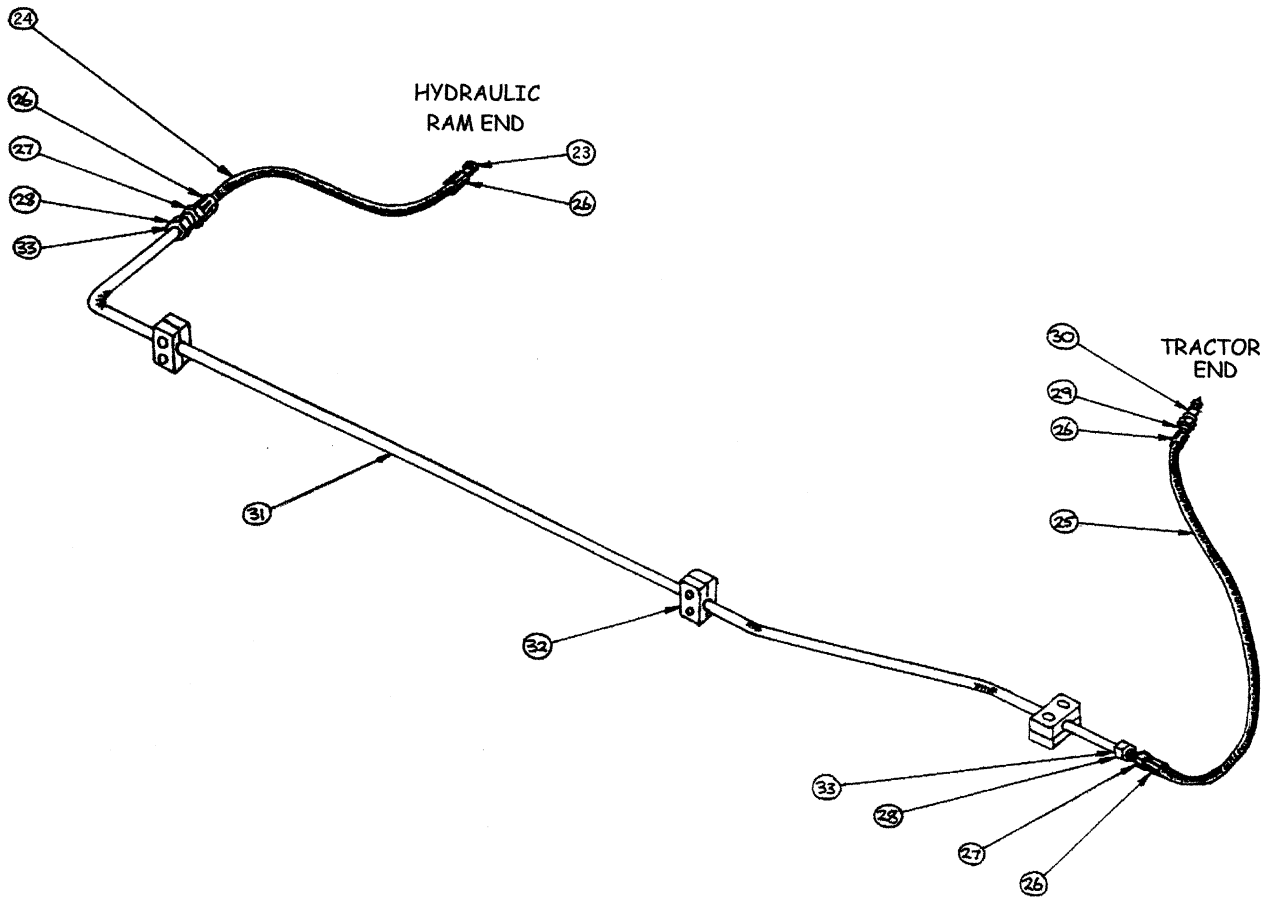


ref.agc assy - vsn.20-3-03

Tailgate Catch Assembly

Item	Giltrap Part #	Description	Quantity Used
1	900-0721	Gate Catch, Left Hand Side	1
2	510-1700	Half Shaft, Left Hand Side	1
3	510-1707	Half Shaft, Right Hand Side	1
4	900-0728	Gate Catch, Right Hand Side	1
5	900-0735	Torque Arm	1
6	900-0742	Wheel Mount (pre '98)	1
7	AGCW	Wire Rope Wheel	1
8	WA12	Washer, Flat M12	as req'd
9	B10x60	Bolt, M10x60	1
10	B12x60	Bolt, M12x60	1
11	NN12	Nut, Nyloc M12	1
12	NN10	Nut, Nyloc M10	3
13	SC10x60SC	Cap Screw, M10x60	3
14	B12x45	Bolt, M12x45	1
15	RAMAXM94125-1	Ram, Single Acting Spring Return	1
16	900-0750	Ram Mount	1
17	B20x80	Bolt, M20x80	1
18	NN20	Nut, Nyloc M20	1
19	900-0745	Linkage Arm	1
20	B10x30	Bolt, M10x30	1
21	AGCLINKAGE	Wire Rope Assembly	1
22	SGT48x33	Spring, Tension	1

Hydraulic Hose Assembly



Hydraulic Hose Assembly

Item	Giltrap Part #	Description	Quantity Used	
			Imperial	Metric
23	HYFS15-0808	Hydraulic Hose Tail, 1/2" BSP Male (2-6T)	1	1
23	HYFS01-0808	Hydraulic Hose Tail, 1/2" BSP Female (8-12T)	1	1
24	450-1808	Rear Hydraulic Hose, 1/2" (2-6T)	1	1
24	450-1815	Rear Hydraulic Hose, 1/2" (8-12T)	1	1
25	450-1801	Front Hydraulic Hose, 1/2" (2-6T)	1	1
25	450-1801	Front Hydraulic Hose, 1/2" (8-12T)	1	1
26	HYFSN2-08	Ferrule	4	4
27	HFYS18-1408	Hydraulic Hose Tail, 7/8" JIC	1	
27	HYFS78-M2408	Hydraulic Hose Tail, 24mm		1
28	HYFFC2875-10	Versil Nut, 10mm	1	
28	HYFFTNS-16	Nut, Cutting Ring 24mm		1
29	HYFS15-0808	Hydraulic Hose Tail, 1/2" BSP Male	1	1
30	HYFQRC1/2M	Quick Release Fitting, Male 1/2"	1	1
31	HYT5/8	Steel Hydraulic Tube 5/8" OD	1	
31	HYT16	Steel Hydraulic Tube 16mm OD x 2.0mm		1
32	CLCS3-M16	Tube Clamp	3	3
33	HYFFF9605-10	Versil Sleeve	2	
33	HYFFTCS-16	Cutting Ring, 16mm		2