



# SPREADERS MAKE EVERY MINUTE COUNT



**WIDETRAC FERTILISER SPREADER**



**PRO-SERIES FERTILISER SPREADER**



**SLURRY SPREADER**

**STRENGTH**

**INNOVATION**

**DURABILITY**

## **ENGINEERED PERFORMANCE**

**Experience tells us that time is the scarcest commodity on your farm.**

To give you more time, we focus our energy on understanding the mechanics of your daily farm routines to engineer solutions that are in sync with your operations.

It started with Wilfred Giltrap making bespoke machinery from his Otorohanga shed in 1959. Building on his high standards, the shed has grown and so has our team's understanding of what it takes to build serious farm machinery. Together, we're building on Wilfred's legacy, obsessing over the details to design and manufacture robust equipment that is stronger and gets work done better and faster.

Our design process starts on the land, listening to farmers and growers. The things we hear and the insights we gather are then combined with generations of engineering experience and an understanding of what technology has to offer.

Through this process ideas are transformed into schematics and raw materials are engineered to create finished machinery.

Before each machine makes it onto your farm, it's put through its paces on our unique test facilities — on real New Zealand farms — to ensure each piece of kit lives up to the Giltrap reputation for strength, innovation and legendary durability.

It's all part of our promise, that as long as it's on your farm, a Giltrap machine will be in sync with your routine and make every minute count.



## SPREAD

**Working with farmers around the world, we've developed an integrated system of Fertiliser Spreaders, Slurry Spreaders, Dribble Bars and Pond Stirrers.**

This range combines leading technology and robust engineering to create reliable, low maintenance machinery. Collectively, they will help you make the most of accurately delivered nutrients, so you can sustain the long-term productivity of your land.

### **WIDETRAC Fertiliser Spreader**

Our WideTrac Spreaders provide next level performance at an entry level price. WideTrac comes standard with a 780mm wide belt for spreading versatility, handling anything you throw at it. Plus it embraces intuitive 21st century technology, with a digital interface that allows you to take care of spreader settings at the touch of a button.



### **PRO-SERIES Fertiliser Spreader**

Our large range of PRO-SERIES models all feature a wide belt and a stainless steel bin to save you time in the field and on maintenance. Plus advanced features, including headland and sectional control, give precise delivery of fertiliser on every job.



### **Slurry Spreader**

Our Slurry Spreaders are an efficient and environmentally friendly way of utilising effluent and boosting grass and crop growth. A low centre of gravity and big flotation tyres let you reach any part of the farm and reliably apply the nutrients where you need them, with a machine designed and built for your farming conditions.



### **Dribble Bar**

Get even more benefit from effluent with our Dribble Bar, to reduce nitrogen losses and accurately manage effluent placement.



### **Pond Stirrer**

Our Pond Stirrers combine simplicity, ingenuity and strength to take care of all the dirty work. They are built strong to keep solids circulating with minimum fuss. The propeller is removable and quadruple-sealed.





## WIDETRAC FERTILISER SPREADER

We've thought a lot about what you really need from a fertiliser spreader and what investment you're prepared to make. That's why the Giltrap WideTrac is tough and durable, quick and easy to set up and use, easy to service and able to handle pretty much every product you'll ever need to spread - all for a lower price than our PRO-SERIES models. Plus it's smart with an intuitive, easy to use rate control panel built into the front of the spreader.

### KEY FEATURES

- **Tough.** The 8mm double skinned polyethylene bin is extremely durable and UV stabilised to withstand the elements. Its slippery bin surface means fertiliser slides off and cleans up easily.
- **Ultimate corrosion protection.** All of the exposed steel chassis structure, drawbar components and spinner assembly frame are hot dipped galvanised. Plus the business end of the spreader has extra corrosion and wear resistance with stainless diverter plates and dividers, stainless spinner discs with replaceable stainless spinner flights, and stainless deflector shields.
- **Zero belt slip.** The 8mm thick rubber belt has our own chevron cleat pattern and is riveted on to steel bars which are welded to calibrated length high tensile chains, and positively driven by high tensile cast sprockets. The entire chain and steel bar assembly is hot dipped galvanised after welding for corrosion resistance. Simple stainless steel tensioning adjusters keep everything running smoothly.
- **No limits.** The spreader belt is really wide at 780mm and has a cleat pattern to grip product and transfer it to the rear spinners. This means that you can spread virtually any product which will flow such as superphosphate, urea, lime, or go the organic path with poultry manure or compost, with spreading rates between 40kg - 5000kg/hectare.
- **Clever.** With the rate control panel built into the front of the spreader, just enter 3 basic settings and you're ready to spread. The belt is driven with a hydraulic motor and gearbox, and the speed adjusts automatically as your ground speed changes. Plus you never have to adjust the rear gate height, or measure it because the rate controller self-adjusts as you drive to the right height for the job.
- **Accurate.** The high speed spinner discs can run up to 1000rpm giving even spread widths of up to 24 metres with granulated fertilisers. Combined with the controlled door height and belt speed for volumetric rate control, you have a machine that delivers the right amount to the right place, every time.
- **Safe.** Designed with a low centre of gravity and swivel tow coupling for stability and peace of mind on challenging terrain. A spinner nudge bar protects the spinners on undulating ground, and rear LED lights let the traffic around you know what's going on.

### OPTIONAL EXTRAS

- A PVC rollover cover to keep rain out of the bin. The cover rolls up tightly when it's not in use, and is easily stretched taut over the bin to provide a reliable weatherproof seal.
- Hydraulic brakes for safety.
- Tyre choices. Choose from a variety of tyre sizes to suit your specific needs.
- UV stabilised moulded polyethylene mudguards help keep the spreader clean and catch debris.

Built-in underlying strength. A rigid internal steel superstructure provides strength and support for the plastic bin and is hidden away from the corrosive fertiliser.



A fully galvanised chassis on the WideTrac gives superior protection.



A large perspex window gives good visibility of the load and the rear gate.



All hydraulic hoses and wiring are channelled through the chassis where possible for protection from external elements.



A galvanised spinner frame, nudge bar and stainless steel spinner discs complete the WideTrac's protection against fertiliser corrosion.



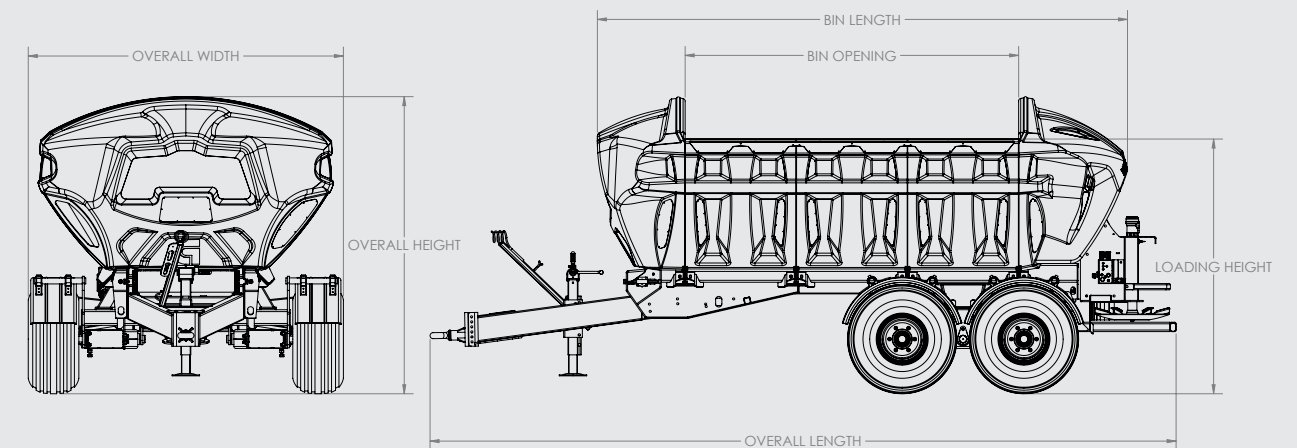
The wide rubber belt is fastened to a galvanised high tensile calibrated chain & slat system for positive drive and no slippage.



The 780mm wide rubber belt is 8mm thick, with aggressive chevron cleats, to deliver product through the rear door without bridging. Spread everything from urea to poultry manure.

### PERFECT CONTROL

Every job is easy to set up and control, simply with a couple of buttons. Enter the spread rate, product density and spread width, then the WideTrac automatically manages gate height and belt speed to accurately spread your valuable fertiliser. The display is clearly visible from the tractor to keep an eye on the spinner speed and job settings while you drive.



MODEL	4T WideTrac	6T WideTrac	8T WideTrac
Capacity (with Superphosphate)*	4.4 Tonnes	6.1 Tonnes	7.8 Tonnes
Capacity (with Lime)*	5.7 Tonnes	7.9 Tonnes	10.1 Tonnes
Capacity (with Urea)*	3.1 Tonnes	4.3 Tonnes	5.5 Tonnes
Overall Length	5.05m	5.95m	6.85m
Overall Width**	2.42m	2.52m	2.56m
Overall Height**	2.38m	2.38m	2.46m
Loading Height**	2.05m	2.05m	2.13m
Bin Length	3.35m	4.25m	5.15m
Bin Opening	1.80m	2.70m	3.60m
Tare Weight	2140kg	2360kg	2830kg
Standard Axle	Tandem	Tandem	Tandem
Axle Size	70mm	70mm	80mm
Standard Wheels	11.5/80 x 15.3	400/60 x 15.5	400/55 x 22.5
Recommended Hydraulic Flow	40-60 L/min	40-60 L/min	40-60 L/min

\* Superphosphate at 1.2T/m<sup>3</sup>, Lime at 1.55T/m<sup>3</sup>, Urea at 0.85T/m<sup>3</sup>  
 \*\* When fitted with standard wheels



## PRO-SERIES FERTILISER SPREADER

If you want to manage rate control and spinner speeds from the tractor seat, create GPS job maps or have electronic weighing for precise calibration on the go, our PRO-SERIES spreaders are right for you.

### KEY FEATURES

- **Corrosion protection.** The 3mm grade 304 stainless steel bin provides years of corrosion-free use. The rear spinner frame is hot dipped galvanised for exceptional corrosion resistance, and the spinner discs are stainless steel with replaceable stainless spinner flights for extended wear and durability.
- **Scale-ready.** Scales can be fitted at the factory or supplied as an after-market kit. On-board scales give an accurate weight of the fertiliser in the bin, and enable the auto-calibration function on the rate controller.
- **Independent chassis.** Constructed from strong grade 350 RHS steel, it provides a rigid mounting and towing base for the fert bin.
- **Safe.** Low centre of gravity for safety around hills.
- **Versatile.** Hydraulically adjusted door with multiple spreading positions for different application rates and products.
- **Handles Everything.** The 850mm wide x 8mm thick vulcanised endless rubber belt with 5mm high chevron cleats moves fertiliser, compost and poultry manure efficiently through the door.
- **Independently electronically speed controlled rear spinners.** Spinner speeds are controlled from the tractor seat, with a touch screen boundary spreading sectional control function to avoid spreading fertiliser over fences and into waterways.
- **The spinner direction is easily reversed at the hydraulic valve.** Enabling more effective spreading of bulky organic fertiliser and compost.

### OPTIONAL EXTRAS

- PVC rollover cover stretches tight over the bin to keep fertiliser dry.
- Row crop axle spacing and wheels.
- Wheel options.
- Hydraulic brakes for increased safety.
- LED tail lights for visibility on public roads.
- Gooseneck or sprung drawbar for larger diameter wheels and shock absorption.
- Front and rear belt covers to keep the belt clean and dry.
- Internal bin mesh with a 50mm grid to sift out large objects.
- Hydraulic jack stand.
- Electronic scales with automatic rate calibration.
- Electronic headland control, using GPS technology to automatically switch off the spreading belt when the machine crosses over an area which has already been spread.
- GPS job mapping and record keeping for proof of placement.
- Foldaway ladder for bin access.
- Spinner nudge bar.
- Side banding attachments for granulated fertilisers.
- Rear side delivery conveyors for band spreading organic products.

A variety of single or double sided banding attachments for fertiliser or organic products makes band spreading easy. These attachments can be easily and quickly swapped on and off in place of the rear spinners.



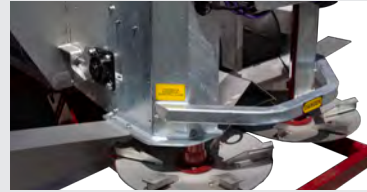
The proportional hydraulic control valve delivers oil to the belt drive and is adjusted automatically by the computer to maintain a constant fertiliser application rate.



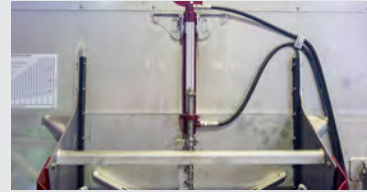
Manage and monitor your spread rate, application, width and product density with precision using the touch screen electronic rate control.



Spinners are counter-rotating at speeds of up to 1000rpm giving spread widths out to 24m, with electronic speed control and monitoring, including a boundary spreading control function.



The door height is quick and easily adjusted hydraulically with multiple spreading positions to cover the range of products and application rates.



The stainless bin is bolted, not welded to the independent chassis. This makes it easy to remove and service if required, and minimises any risk of stress cracking from welding stainless to mild steel. Load cells for electronic weighing can be factory fitted or easily retro-fitted afterwards.



The vulcanised rubber belt is extremely durable at 8mm thick, and has a 5mm high chevron pattern to pull product through the bin and deliver an even flow on to the spinner discs.



Large objects can be sifted out of the fertiliser with an optional internal 50mm grid mesh.



Bi-directional spinner vanes can be fitted to run the spinner discs in reverse for spreading high volume rates of lime, compost and poultry manure.



MODEL	3T-2501	4T-3802	6T-5001	8T-6601	10T-8301	12T-10001	15T-12401
Capacity (with Superphosphate)**	3.0 Tonnes	4.6 Tonnes	6.0 Tonnes	8.0 Tonnes	10.0 Tonnes	12.0 Tonnes	15.0 Tonnes
Capacity (with Lime)**	3.9 Tonnes	5.9 Tonnes	7.8 Tonnes	10.2 Tonnes	13 Tonnes	15.6 Tonnes	19.5 Tonnes
Capacity (with Urea)**	2.1 Tonnes	3.2 Tonnes	4.3 Tonnes	5.6 Tonnes	7.0 Tonnes	8.4 Tonnes	10.5 Tonnes
Overall Length	5.3m	4.7m	5.4m	5.9m	6.8m	6.8m	6.8m
Overall Width	2.50m	2.5m	2.50m	2.50m	2.50m	2.8m	2.79m
Overall Height	1.50m	1.98m	1.98m	2.15m	2.21m	2.52m	2.83m
Bin Length	3.00m	2.4m	3.10m	3.60m	4.50m	4.5m	4.5m
Tare Weight	1050kg	1425kg	1750kg	1855kg	2150kg	TBA	TBA
Standard Axle	Single	Tandem	Tandem	Tandem	Tandem	Tandem - braked	Tandem - braked
Axle Size	60mm	60mm	70mm	80mm	80mm	90mm	100mm
Wheels	400/60 x 15.5	11.5/80 x 15.3	400/60 x 15.5	400/55 x 22.5	500/45 x 22.5	500/60 x 22.5	560/60 x 22.5
Recommended Hydraulic Flow	40-60 L/min	40-60 L/min	40-60 L/min	40-60 L/min	40-60 L/min	40-60 L/min	40-60 L/min

\*\* Superphosphate at 1.2T/m<sup>3</sup>, Lime at 1.55T/m<sup>3</sup>, Urea at 0.85T/m<sup>3</sup>



## ORCHARD SPREADER

**Spreading in vineyards, orchards and other horticultural places can be difficult. With tight row spacing, it is important to select the right spreader for the job. With a single adjustable axle and various removable attachments, the Giltrap Orchard Spreader is designed with maneuverability and versatility in mind.**

Built low and narrow, the bin volume is still plenty large enough at 2.5 cubic metres, and the wide rubber belt is perfect for handling composts, mulches, poultry manure and grape marc, as well as the full range of granulated fertilisers, lime and gypsum.

The axle is positioned for optimum headland turning performance and the single wheels means that there is no tyre scuffing in the corners. The standard specification has twin rear spinners with double-vane flights, and the operator can easily reverse the spinner direction of rotation to best suit the product which is being spread.

### KEY FEATURES

- All the touchscreen control features are detailed on the Technology page (over).
- Stainless steel fertiliser deflectors behind the spinners.
- Adjustable height swivel towing hitch.
- Adjustable quick lift jack stand.
- Bolt-on axle assembly for simple removal and servicing.
- Belt drive and idler cage rollers are hot dipped galvanised.
- Drive roller is crowned for reliable belt tracking.
- Heavy pinch roller increases the wrap of the belt around the drive roller for positive belt grip.
- Stainless steel adjusters for belt positioning and tracking.
- 60mm diameter idler rollers support the belt at 120mm centres along the length.
- No ground or wheel drive. Giltrap only use a fully hydraulic drive system, measuring ground speed electronically for spreading rate control adjustment via the touchscreen controller.
- The stainless bin is designed to be scale ready and scales can be fitted at the factory or supplied as an after-market kit. On-board scales give an accurate weight of the fertiliser in the bin, and enable the auto-calibration function on the rate controller.
- The optional rear attachments allow different methods of band spreading, especially useful for compost and organic fertiliser. The different attachments can be quickly and easily swapped with our quick latch systems and flat face hydraulic couplers.
- Twin stainless steel spinner discs can be adjusted independently for speeds up to 1000rpm for spreading widths out to 24 metres. The spinner direction is easily reversed at the hydraulic valve for more effective spreading of bulky organic fertiliser and compost.
- Fully enclosed spinner shaft drivelines.



Shows optional Single Belt delivery one side



## OPTIONAL ATTACHMENTS

Single Side Banding



Double Side Banding



Double Belt, delivery both sides (below) or Single Belt, delivery one side (previous page)



Capacity (Super)**	Capacity (with Lime)**	Capacity (with Urea)**	Overall Length	Overall Width	Overall Height
3.0 tonnes	3.9 Tonnes	2.1 Tonnes	4.9m	1.66m	1.45m
Bin Length	Tare Weight	Standard Axle	Axle Size	Wheels	Recommended Oil Flow
3.00m	970kg	Single	60mm	10.0/75-15.3	40-60 L/min

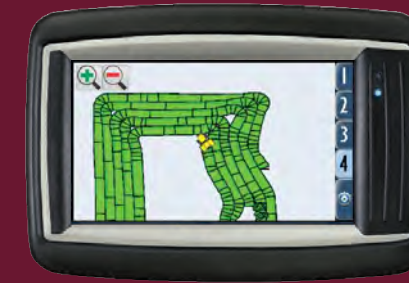
\*\* Superphosphate at 1.2T/m<sup>3</sup>, Lime at 1.55T/m<sup>3</sup>, Urea at 0.85T/m<sup>3</sup> \* All attachments shown are also available for the large spreader range



## TECHNOLOGY - PRO-SERIES & ORCHARD SPREADERS

We combine seamless design and world-class technology into every piece of machinery. All models of the PRO-SERIES and Orchard fertiliser spreader are standard with an electronic rate control with colour graphic touch display.

This advanced control is operated from the tractor seat and provides you peace of mind that you can spread every job perfectly.



GPS Job Mapping



Auto Calibration



Headland and Boundary Spreading Control

### THIS TECHNOLOGY PROVIDES THE FOLLOWING KEY FEATURES

- Precision and flexibility to vary spreading rates electronically.
- Includes touch screen control for the spinner speeds and border spreading.
- Optional electronic scales to precisely measure the load and amount spread.
- Checks spreading rates.
- Provides automatic rate calibration with scales fitted.

### MORE CONTROL

For those wanting more advanced control and measurement there are additional upgrade options:

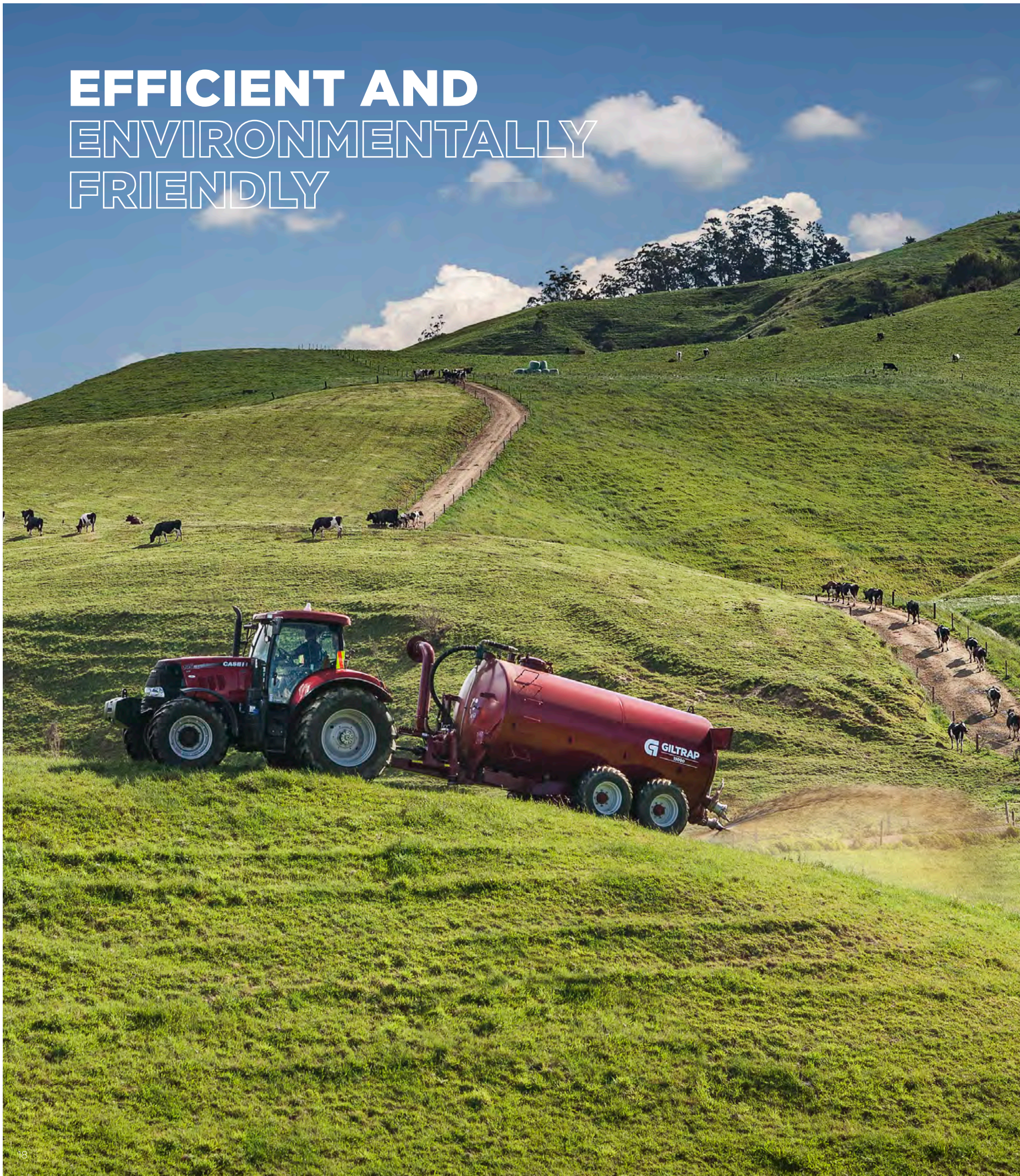
- 1 GPS functionality to enable coverage mapping of jobs as they are done for proof of placement and add prescription maps through the USB port for variable rate spreading.
- 2 Automatic headland control to switch the belt off in areas that have already been spread with fertiliser.

### ADVANCED FEATURES INCLUDE

- Monitored functions including rate and belt speed warnings delivered as audible warnings and visual messages.
- Transfer your data between the field and your office using a USB port.
- Product calibration by name and product, adjusting the spread width and application rate at the touch of a button.
- Record all areas mapped including the rate, date and tonnages.



# EFFICIENT AND ENVIRONMENTALLY FRIENDLY



## VALUE IN EFFLUENT

### THE BENEFITS OF EFFLUENT

A well designed system and management plan will enable as much as 80 to 90% retention of the nutrient value. The organic matter in the effluent will also improve soil water holding characteristics, aeration and drainage and will make soil less prone to compaction and erosion.

Research shows that 1kg N from effluent is equivalent to 1kg N from Urea, in terms of pasture production, composition and nitrate leaching. Therefore farm dairy effluent can produce good pasture response, up to 10 to 15kg DM per kg N applied in effluent.

### ESTIMATED NUTRIENTS IN EFFLUENT FROM 100 COWS (KG/YR)\*

#### No feed pad - farm dairy effluent

	N	P	K
All grass system (milking 270 days twice a day)	590	70	540
Feeding 2tDM/ha of maize silage in paddock	668	80	668

#### Using a feed pad - farm dairy effluent plus feed pad effluent

(feeding 2tDM/ha of maize silage)

TIME ON PAD	N	P	K
1/2 hour on pad per day	838	100	868
1 hour on pad per day	1008	120	1044

NUTRIENT	SOLID FERTILISER EQUIVALENT OF EFFLUENT FROM 100 COWS (all grass system - as above table)
N	1.3 t of Urea
P	0.7 t of superphosphate
K	1.1 t of MoP (50% potash)
Mg	0.2 t of MgO

NUTRIENT	SOLID FERTILISER EQUIVALENT OF EFFLUENT FROM 100 COWS (feeding 2tDM/ha of maize silage on a feed pad, 1 hr per day)
N	2.2 t of Urea
P	1.3 t of superphosphate
K	2.1 t of MoP (50% potash)
Mg	0.3 t of MgO

Figures are estimated using the Overseer nutrient budget model, figures will vary from farm to farm. Testing the effluent from your farm will confirm the nutrient values.

\*Source: DairyNZ and Environment Waikato's "A guide to managing Farm Dairy Effluent".

# SLURRY SPREADER

**Top quality components ensure constant, reliable handling of effluent, day in and day out. The tank is manufactured from heavy plate steel, with 6mm domed ends and a strong integrated chassis giving the tank support throughout its entire length.**

## KEY FEATURES

- Battioni Pagani vacuum pump.
- Tandem or single axle.
- Strong integrated chassis and drawbar.
- Internal baffle plate to prevent surging.
- Separate filling points.
- Access points for easy cleaning.
- Level indicator.
- Lightweight sectioned suction hoses for easy handling.
- Brass and galvanised fittings for corrosion protection.
- Double moisture trap system.
- Epoxy paint inside the tank to reduce corrosion.

## OPTIONAL EXTRAS

- Brakes.
- Side delivery discharge nozzle.
- Auto-fill system with pump actuation.
- Quick hose coupler.
- Hydraulic driven vacuum pump.
- Various wheel options.
- Sprung/steering bogey axle assemblies.
- Hydraulic suspension drawbar.
- Internal tank agitation.
- Upgrade to 200mm suction hoses.
- 200mm hose lifter/transport rack.
- Turbo filler.
- Mudguards.
- 75mm trough cleaning kit.



Italian Battioni Pagani rotary vane vacuum pumps are standard equipment, featuring rugged design, high airflow capacity and low maintenance requirements.



Domed ends are 6mm steel plate, double butt welded into the tank cylinder. Hydraulic suspension can be fitted to the drawbar, it can also be used to increase the angle of the tank by 3 degrees to improve sediment drainage.



A float level indicator visible from the tractor seat shows how full the tank is.



Galvanised quick coupling hose connectors offer an easy hook up and decoupling system for the suction hoses with minimal hassle or mess. Reinforced rubber suction hoses are designed to withstand the forces of full vacuum, and are supplied in 4m lengths for ease of handling.



Auto-fill system with pump actuation simplifies and speeds up the filling process.



Add technology with a flow-meter and touch screen to create GPS coverage maps of each job for proof of placement recording.

MODEL	5000	7500	10000	12000	15000	20000
Tank Diameter	1.60m	1.60m	1.80m	2.00m	2.00m	2.00m
Tank Length	3.10m	4.30m	4.40m	4.10m	5.06m	6.66m
Tank Capacity	5250 litres	7700 litres	10050 litres	12050 litres	15050 litres	20000 litres
Baffles	1	1	1	2	2	3
Tare Weight	2130kg	2600kg	3750kg	3900kg	4400kg	7700kg
Overall Length	5.45m	6.7m	6.8m	6.5m	6.85m	8.5m
Overall Height	2.40m	2.45m	2.90m	3.10m	3.10m	3.20m
Overall Width	2.50m	2.50m	2.50m	2.80m	2.80m	2.65m
Pump Capacity	6500 L/min	8000 L/min	12000 L/min	12000 L/min	12000 L/min	12000 L/min
Pump Lubrication	Automatic	Automatic	Automatic	Automatic	Automatic	Automatic
Hose Size	150mm (6")	150mm (6")	200mm (6")	200mm (6")	200mm (6")	200mm (6")
Hose Length	4m (x2) plus 3m probe	4m (x2) plus 3m probe	4m (x2) plus 3m probe	4m (x2) plus 3m probe	4m (x2) plus 3m probe	4m (x2) plus 3m probe
Filling Points	3	3	3	3	3	3
Manhole Access Points	2	2	2	2	2	2
Axle Type	Tandem	Tandem	Tandem	Tandem	Tandem	Triple with steering
Axle Size	60mm (6 stud)	70mm (6 stud)	80mm (8 stud)	90mm (8 stud)	90mm (8 stud)	130mm (10 stud)
Wheels	400/60 x 15.5	400/60 x 15.5	500/60 x 22.5	500/60 x 22.5	500/60 x 22.5	560/60 x 22.5

## DRIBBLE BAR

**Why are dribble bars becoming more common? With the traditional splash plate method of applying effluent, the nitrogen (N) losses to the atmosphere can be up to 80%. Other concerns are the pasture stand down time, odour management and keeping effluent out of troughs and waterways.**

The use of a dribble bar reduces or eliminates all of the above issues. Nitrogen loss is minimised because the effluent is not being sprayed in the air which also virtually eliminates the smell issue. Effluent placement is controlled and regrazing time on pastures is quicker. With mounting pressure from authorities around the use of effluent, we have developed a Dribble Bar to suit Giltrap Slurry Spreaders. Available in two standard widths of 9m and 12m.

All pivot points are greaseable.



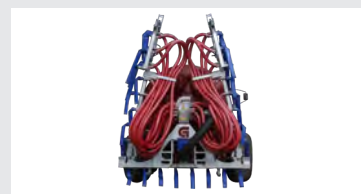
A fully galvanised frame provides good corrosion resistance. The outlet hoses hang loose to move over rough terrain.



Fitted with reliable Vogelsang macerators to chop solids and evenly distribute effluent to the 50mm outlet tubes.



The outside sections of the applicator arms have a break away section for when you get too close to a fence line, automatically resetting once free of obstacles.



Both models fold up vertically to give a transport width of 2.5m and an overall height of 3.6m (height is dependent on tank size and wheel configuration).



## POND STIRRER

**Our Pond Stirrer combines ingenuity and resilience – the propeller is removable, quadruple-sealed and tangle proof. It's strong enough to keep solids circulating too. The Stirrer will look after itself, so you can keep going.**

### KEY FEATURES

- Galvanised for corrosion protection.
- 6m or 8m length options.
- Tapered propeller shaft for simple propeller removal.
- Removable propeller end bearings and seals.
- Greasable propeller support bearing.
- Greasable centre shaft bush.
- Negative angle leading edge on propeller for reduced weed tangle.
- Fold up transport wheels.
- Tow hitch for transport between jobs.
- “Push” circulation.

### OPTIONAL EXTRAS

- Hydraulic top link to adjust the stirrer angle.



Adjustable top link to ensure stirrer is working at the optimum depth.



Wheels can be folded up to keep them out of the pond.



3 blade anti-foul propeller mounted on a marine taper for easy removal.



The logo consists of four white rounded square boxes arranged horizontally. The first box contains the number '2', the second contains '4', the third contains a forward slash '/', and the fourth contains the number '7'. A horizontal line runs through the middle of all four boxes, creating a visual effect of a digital display or a counter.

**We've assembled a comprehensive dealer network who know what it takes to keep your Giltrap machinery in peak condition. With a blend of local knowledge and engineering expertise our team is here 24/7, so your business doesn't have to stop.**

To find out more about our local dealer network or to discuss your specific needs, contact a member of our team.

**NEW ZEALAND (HEAD OFFICE)**

**EMAIL** [info@giltrapag.co.nz](mailto:info@giltrapag.co.nz)  
**www.giltrapag.co.nz**

**AUSTRALIA**

**EMAIL** [sales@giltrapag.com.au](mailto:sales@giltrapag.com.au)  
**www.giltrapag.com.au**